

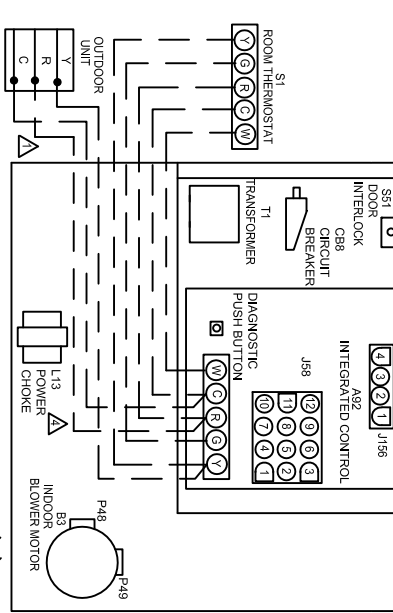
BLOWER SPEED CHART		FACTORY CONNECTED SPEED TAPS			
UNIT	COOL	HEAT	FAN	PARK	
045XE38B	BLACK	BLUE	RED	BROWN/YELLOW	
070XE38B	BLACK	BROWN	RED	BLUE/YELLOW	
110XE60C	BLACK	BROWN	RED	BLACK/YELLOW	
135XE60D	BROWN	BLUE	RED	BLACK/YELLOW	

SPEED TAPS		BLOWER SPEED SELECTION			
	HI	←	→		LO
	BLACK	BROWN	BLUE	YELLOW	RED

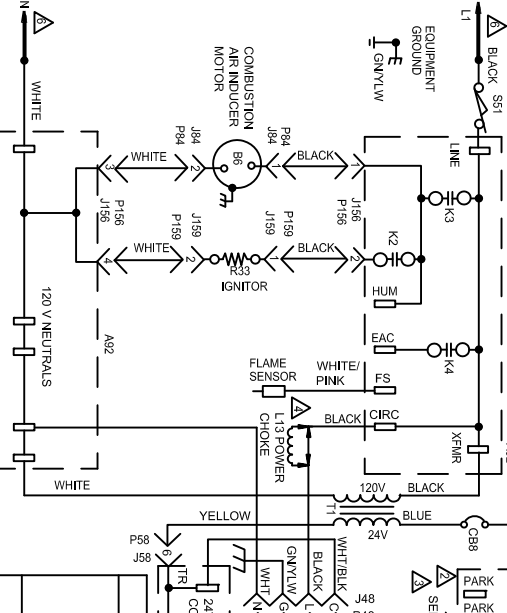
JACK/PULL CHART	
J1P48	JACK/PULL-INDOOR BLOWER-PW
J1P49	JACK/PULL-INDOOR BLOWER-SPD TAP
J1P58	JACK/PULL-BURNER CONTROL
J1P64	JACK/PULL-GAS VALVE AIR INDUCER
J1P75	JACK/PULL-SECURITY LIMIT (S)
J1P80	JACK/PULL-INDOOR BURNER
J1P84	JACK/PULL-SECURITY LIMIT (S)

NOTE:
IF ANY WIRE IN THIS APPLIANCE IS REPLACED, IT MUST BE REPLACED WITH WIRE OF LIKE SIZE, RATING, INSULATION THICKNESS AND TERMINATION.

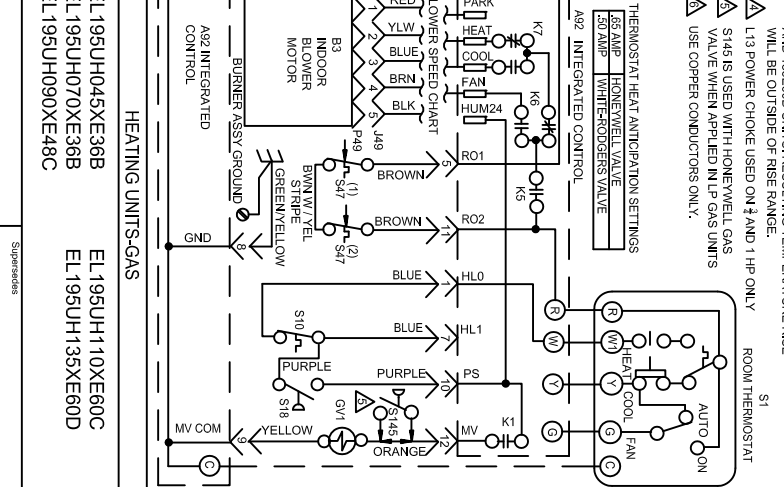
- ⚠ R: REQUIRED ON SOME OUTDOOR UNITS
- ⚠ PARK TERMINALS ARE UNPOWERED TERMINALS. ALL UNUSED MOTOR LEADS MUST BE WIRED TO A PARK TERMINAL.
- ⚠ DO NOT USE RED (LOW SPEED) MOTOR LEAD FOR HEATING SPEED ON 045XE38A, 070XE38B, 110XE60C AND 135E60D UNITS. RESULTING TEMPERATURE RISE WILL BE OUTSIDE OF RISE RANGE.
- ⚠ L13 POWER CHOKE USED ON ½ AND 1 HP ONLY.
- ⚠ S145 IS USED WITH HONEYWELL GAS VALVE WHEN APPLIED IN LP GAS UNITS. USE COPPER CONDUCTORS ONLY.



LINE VOLTAGE FIELD INSTALLED
CLASS II VOLTAGE FIELD WIRING
DENOTES OPTIONAL COMPONENTS



WARNING-
SHOCK HAZARD CAN CAUSE INJURY
OR DEATH. UNIT MUST BE GROUNDED IN ACCORDANCE
WITH NATIONAL AND LOCAL CODES.



HEATING UNITS-GAS	
EL195UH045XE36B	EL195UH110XE60C
EL195UH070XE36B	EL195UH135XE60D
EL195UH090XE48C	

Form No. 537423-01