

BLOWER SPEED CHART		FACTORY CONNECTED SPEED TAPS			
UNIT	COOL	HEAT	FAN	PARK	
030XE24B	BLACK	BLUE	RED	BROWN/YELLOW	
045XE24B	BLACK	BLUE	RED	BROWN/YELLOW	
045XE36B	BLACK	BLUE	RED	BROWN/YELLOW	
070XE36B	BLACK	BROWN	RED	BLUE/YELLOW	
090XE48C	BLACK	BROWN	RED	BLUE/YELLOW	
110XE60C	BROWN	BLUE	RED	BLACK/YELLOW	
135XE60D	BROWN	BLUE	RED	BLACK/YELLOW	

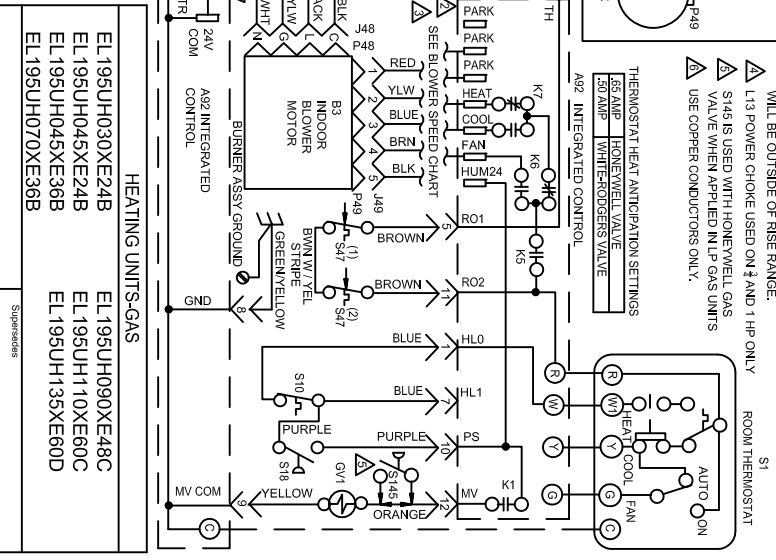
SPEED TAPS		BLOWER SPEED SELECTION			
HI	←	→	LO		
BLACK	BROWN	BLUE	YELLOW	RED	

JACK/PULL CHART	
J1P48	JACK/PULL-INDOOR BLOWER-PW
J1P49	JACK/PULL-INDOOR BLOWER-SPD TAP
J1P58	JACK/PULL-BURNER CONTROL
J1P64	JACK/PULL-GAS VALVE AIR INDUCER
J1P75	JACK/PULL-ROOM THERMOSTAT (S)
J1P80	JACK/PULL-INDOOR BLOWER
J1P81	JACK/PULL-OUTDOOR BLOWER
J1P82	JACK/PULL-ROOM THERMOSTAT

NOTE:
IF ANY WIRE IN THIS APPLIANCE IS REPLACED, IT MUST BE REPLACED WITH WIRE OF LIKE SIZE, RATING, INSULATION THICKNESS AND TERMINATION.

- ⚠ R: REQUIRED ON SOME OUTDOOR UNITS
- ⚠ PARK TERMINALS ARE UNPOWERED TERMINALS. ALL UNUSED MOTOR LEADS MUST BE WIRED TO A PARK TERMINAL.
- ⚠ DO NOT USE RED (LOW SPEED) MOTOR LEAD FOR HEATING SPEED ON 045XE36A, 070XE36B, 110XE60C AND 135XE60D UNITS. RESULTING TEMPERATURE RISE WILL BE OUTSIDE OF RISE RANGE.
- ⚠ L13 POWER CHOSE USED ON 1/2 AND 1 HP ONLY.
- ⚠ S149 IS USED WITH HONEYWELL GAS VALVE WHEN APPLIED IN LP GAS UNITS USE COPPER CONDUCTORS ONLY.

THERMOSTAT HEAT ANTICIPATION SETTINGS
 6.5 AMP HONEYWELL VALVE
 20 AMP WHITE/RODGERS VALVE



HEATING UNITS-GAS	
EL195UH030XE24B	EL195UH090XE48C
EL195UH045XE24B	EL195UH110XE60C
EL195UH045XE36B	EL195UH135XE60D
EL195UH070XE36B	

WARNING: SHOCK HAZARD CAN CAUSE INJURY OR DEATH. UNIT MUST BE GROUNDED IN ACCORDANCE WITH NATIONAL AND LOCAL CODES.

0715
 Form No. 537423-01
 Litho U.S.A.

Cut size: 6-1/2" wide X 8-1/2" tall