

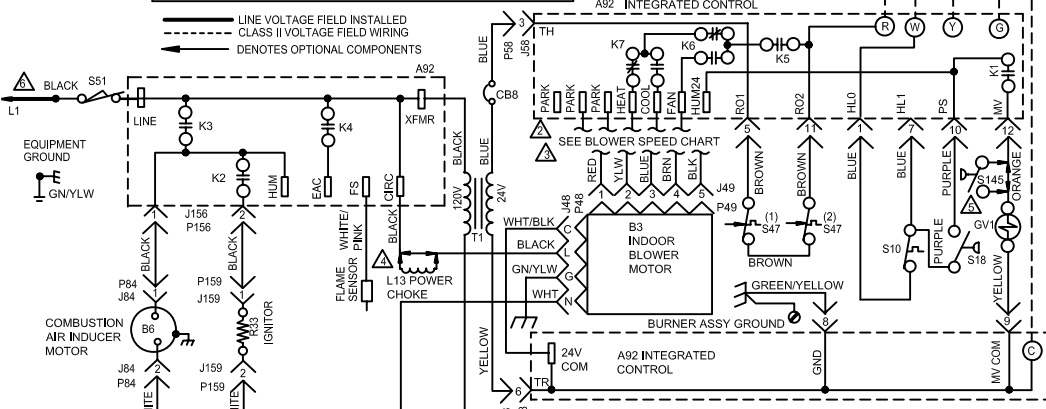
BLOWER SPEED CHART					
FACTORY CONNECTED SPEED TAPS					
UNIT	COOL	HEAT	FAN	PARK	
045XE36B	BLACK	BLUE	RED	BROWN,YELLOW	
070XE48B	BLACK	BROWN	RED	BLUE,YELLOW	
090XE48C					
110XE60C					
HI ← BLOWER SPEED SELECTION → LO					
SPEED TAPS	BLACK	BROWN	BLUE	YELLOW	RED

JACK/PLUG CHART	
J.P48	JACK/PLUG-INDOOR BLOWER-POWER
J.P49	JACK/PLUG-INDOOR BLOWER-SPD TAP
J.P58	JACK/PLUG-BURNER CONTROL
J.P84	JACK/PLUG-COMB AIR INDUCER
J.P135	JACK/PLUG-SECONDARY LIMIT
J.P159	JACK/PLUG-IGNITER/IGNITER
J.P159	JACK/PLUG-IGNITION

NOTE:
IF ANY WIRE IN THIS APPLIANCE IS REPLACED,IT
MUST BE REPLACED WITH WIRE OF LIKE SIZE,
RATING,INSULATION THICKNESS AND TERMINATION.

- ▲ 'R' REQUIRED ON SOME OUTDOOR UNITS
- ▲ PARK TERMINALS ARE UNPOWERED TERMINALS. ALL UNUSED MOTOR LEADS MUST BE WIRED TO A PARK TERMINAL.
- ▲ DO NOT USE RED (LOW SPEED) MOTOR LEAD FOR HEATING SPEED ON 045E36A, 070E36B, AND 110E60C UNITS. RESULTING TEMPERATURE RISE WILL BE OUTSIDE OF RISE RANGE.
- ▲ L13 POWER CHOKE USED ON 1/2 AND 1 HP ONLY
- ▲ S145 IS USED WITH HONEYWELL GAS VALVE WHEN APPLIED IN LP GAS UNITS
- ▲ USE COPPER CONDUCTORS ONLY.

THERMOSTAT HEAT ANTICIPATION SETTINGS	
.65 AMP	HONEYWELL VALVE
.50 AMP	WHITE-RODGERS VALVE



HEATING UNITS-GAS	
EL195DF045XE36B	EL195DF090XE48C
EL195DF070XE48B	EL195DF110XE60C
0511	Supersedes

WARNING:
ELECTRIC SHOCK HAZARD.CAN CAUSE INJURY
OR DEATH.UNIT MUST BE GROUNDED IN ACCORDANCE
WITH NATIONAL AND LOCAL CODES.