

BLOWER SPEED CHART		FACTORY CONNECTED SPEED TAPS			
UNIT	COOL	HEAT	FAN	PARK	
045XE388	BLACK	BLUE	RED	BROWN/YELLOW	
070XE488	BLACK	BROWN	RED	BLUE/YELLOW	
090XE48C	BLACK	BROWN	RED	BLUE/YELLOW	
110XE60C	BLACK	BROWN	RED	BLUE/YELLOW	

SPEED TAPS: HI ← BLACK BROWN BLUE YELLOW → LO
 ← BLOWER SPEED SELECTION →

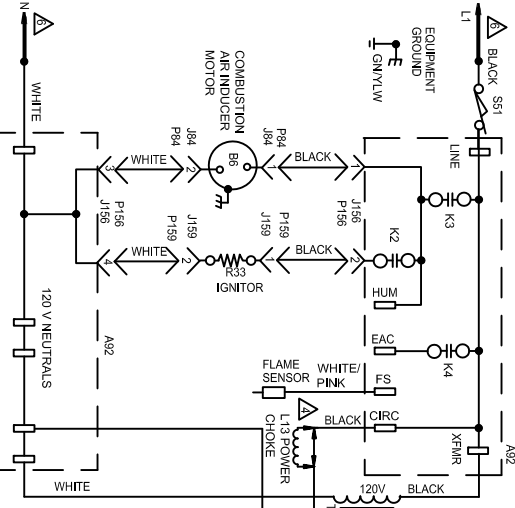
Terminal	Wiring
J1248	JACK/PLUG-INDOOR BLOWER-POWER
J1249	JACK/PLUG-INDOOR BLOWER-SPD TAP
J1250	JACK/PLUG-BURNER CONTROL
J1251	JACK/PLUG-COMB AIR INDUCER
J1252	JACK/PLUG-SECONDARY TAP
J1253	JACK/PLUG-INDOOR BLOWER
J1254	JACK/PLUG-INDOOR BLOWER
J1255	JACK/PLUG-INDOOR BLOWER

NOTE: IF ANY WIRE IN THIS APPLIANCE IS REPLACED, IT MUST BE REPLACED WITH WIRE OF LIKE SIZE, RATING, INSULATION THICKNESS AND TERMINATION.

- △ REQUIRED ON SOME OUTDOOR UNITS
- △ PARK TERMINALS ARE UNPOWERED TERMINALS. ALL UNUSED MOTOR LEADS MUST BE WIRED TO A PARK TERMINAL.
- △ DO NOT USE RED (LOW SPEED) MOTOR LEAD FOR HEATING SPEED ON 045E38A, 070E38B, AND 110E60C UNITS. RESULTING TEMPERATURE RISE WILL BE OUTSIDE OF RISE RANGE.
- △ L13 POWER CHOKE USED ON 1/2 AND 1 HP ONLY
- △ S145 IS USED WITH HOMEWELL VALVE VALVE WHEN APPLIED IN LP GAS UNITS
- △ S145 IS USED WITH HOMEWELL VALVE WHEN APPLIED IN LP GAS UNITS
- △ USE COPPER CONDUCTORS ONLY.

Terminal	Wiring
S51	WHITE
S52	WHITE
S53	WHITE
S54	WHITE
S55	WHITE
S56	WHITE
S57	WHITE
S58	WHITE
S59	WHITE
S60	WHITE
S61	WHITE
S62	WHITE
S63	WHITE
S64	WHITE
S65	WHITE
S66	WHITE
S67	WHITE
S68	WHITE
S69	WHITE
S70	WHITE
S71	WHITE
S72	WHITE
S73	WHITE
S74	WHITE
S75	WHITE
S76	WHITE
S77	WHITE
S78	WHITE
S79	WHITE
S80	WHITE
S81	WHITE
S82	WHITE
S83	WHITE
S84	WHITE
S85	WHITE
S86	WHITE
S87	WHITE
S88	WHITE
S89	WHITE
S90	WHITE
S91	WHITE
S92	WHITE
S93	WHITE
S94	WHITE
S95	WHITE
S96	WHITE
S97	WHITE
S98	WHITE
S99	WHITE
S100	WHITE

--- LINE VOLTAGE FIELD INSTALLED
 --- CLASS II VOLTAGE FIELD WIRING
 --- DENOTES OPTIONAL COMPONENTS



HEATING UNITS-GAS

EL195DF045XE38B EL195DF090XE48C
 EL195DF070XE48B EL195DF110XE60C

Form No. 537424-01
 Supersedes

WARNING: CHECK HAZARD CANCAUSE INHALE
 OR DENTS UNIT MUST BE GROUNDED IN ACCORDANCE
 WITH NATIONAL AND LOCAL CODES.