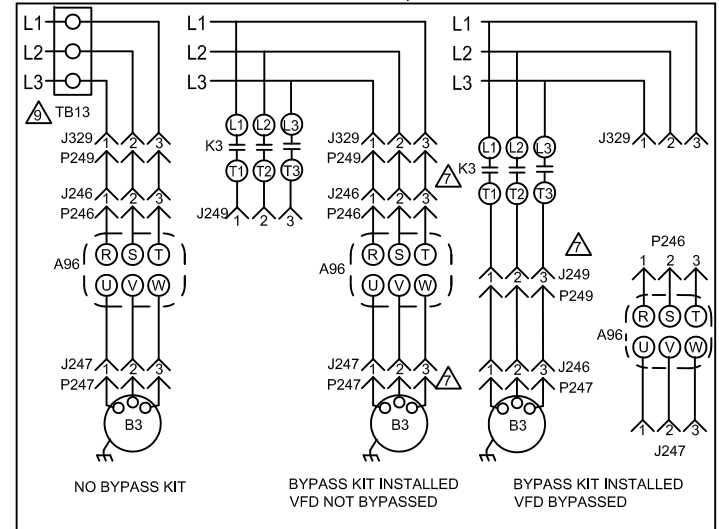


KEY	COMPONENT
A42	MONITOR, PHASE PROTECTION
A96	CONTROL INVERTER
A171	SENSOR ONE, SMOKE, RETURN AIR
A172	SENSOR TWO, SMOKE, SUPPLY AIR
A173	CONTROL, SMOKE DETECTION
A183	CONTROL, VFD BOARD
B1	COMPRESSOR 1
B2	COMPRESSOR 2
B3	MOTOR, BLOWER
B4	MOTOR, OUTDOOR FAN 1
B5	MOTOR, OUTDOOR FAN 2
B10	MOTOR, EXHAUST FAN
B21	MOTOR, OUTDOOR FAN 3
C1	CAPACITOR, OUTDOOR FAN 1
C2	CAPACITOR, OUTDOOR FAN 2
C6	CAPACITOR, EXHAUST FAN
C18	CAPACITOR, OUTDOOR FAN 3
CB8	CIRCUIT BREAKER
CB18	CIRCUIT BREAKER
CMC1	TIMER, DEFROST, COMPRESSOR 1
DL46	DELAY, OVERFLOW SWITCH
H2	HEADER 2, VFD CONTROL
HR1	HEATER COMPRESSOR 1
HR2	HEATER COMPRESSOR 2
J11	JACK, GFI RECEPTACLE
K1	CONTACTOR, COMPRESSOR 1
K2	CONTACTOR, COMPRESSOR 2
K3	CONTACTOR, BLOWER
K8	RELAY, TRANSFER 1
K10	RELAY, OUTDOOR FAN 1
K58	RELAY, LOW AMBIENT KIT
K65	RELAY, EXHAUST FAN
K132	RELAY, COMPRESSOR 1 ON
K133	RELAY, COMPRESSOR 2 ON
K133	RELAY, OVERFLOW SWITCH
K220	RELAY, INVERTER PROTECTION
K232	RELAY, TRANSFER 2
L1	VALVE, REVERSING 1
L2	VALVE, REVERSING 2
S3	SWITCH, LIMIT LO COMPRESSOR 1
S4	SWITCH, LIMIT HI PRESS (MANUAL RESET)
S6	SWITCH, DEFROST COMPRESSOR 1
S7	SWITCH, LIMIT HI PRESS COMP 2
S9	SWITCH, DEFROST COMPRESSOR 2
S11	SWITCH, LOW PRESS, LOW AMBIENT KIT
S30	SWITCH, LIMIT LO COMPRESSOR 2
S42	SWITCH, OVERLOAD RELAY BLOWER MOTOR
S46	SWITCH, DEFROST TERMINATION
S49	SWITCH, FREEZESTAT
S50	SWITCH, FREEZESTAT 2
S84	SWITCH, LO PRESS, LO AMB COMP 2
S89	SWITCH, THERMOSTAT DISCHARGE TEMP
S104	SWITCH, DEFROST TERMINATION 2
S149	SWITCH, OVERFLOW
T1	TRANSFORMER, CONTROL
T18	TRANSFORMER, CONTACTOR
TB2	TERMINAL STRIP, UNIT

J/P	JACK/PLUG DESCRIPTION
2	HEAT
18	EXHAUST FAN COMPT
35	TEST HEAT
36	TEST COOL
45	INPUT
47	OUTDOOR FAN 1
52	OUTDOOR FAN 2
86	OUTDOOR FANS 1
132	EXHAUST FAN MOTOR 1
246	POWER TO VFD
247	POWER VFD TO MOTOR
248	VFD CONTROL
249	CONTACTOR BYPASS
250	SMOKE DETECTOR ONE
251	SMOKE DETECTOR ONE
252	SMOKE DETECTOR TWO
253	SMOKE DETECTOR TWO
255	MODULE CONTROL SMOKE DETECT
261	SMOKE DETECTOR JUMPER
306	S89 THERMOSTAT
326	VFD CONTROL ADD-ON
329	HI VOLTAGE VFD

⚠ MITSUBISHI VFD
⚠ K3 REPLACES TB13 WHEN A96 VFD BYPASS OPTION IS INSTALLED



LANDMARK B-BOX
WIRING DIAGRAM

11/11

COOLING

KHA - 092, 102, 120, 150 - G, J, Y - VFD UNITS

SECTION B

REV 0

Supersedes New Form No.

537426-01

© 2011 Lennox Commercial