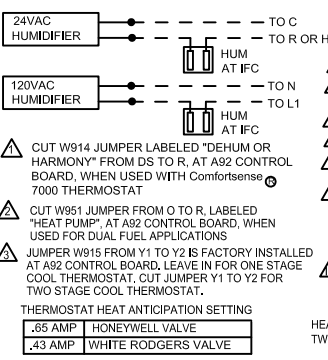


UNIT	BLOWER SPEED CHART			SECONDARY LIMITS USED
	HEAT	COOL	ADJUST	
045XV36B	FACTORY DEFAULT	HIGH	FACTORY DEFAULT	0
070XV36B				
090XV36C				
090XV48C				
090XV60C				
110XV48C				
110XV60C				
135XV60C				

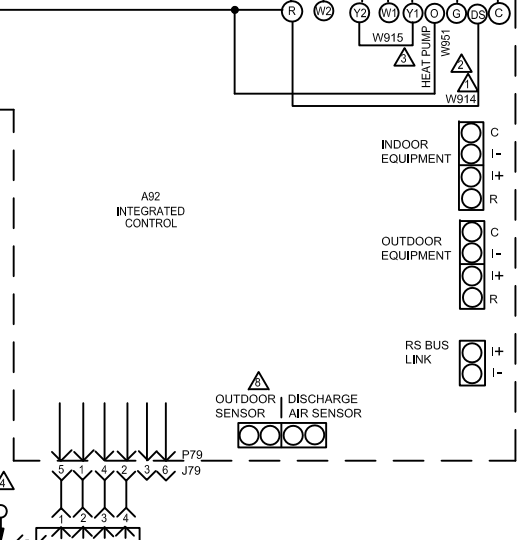
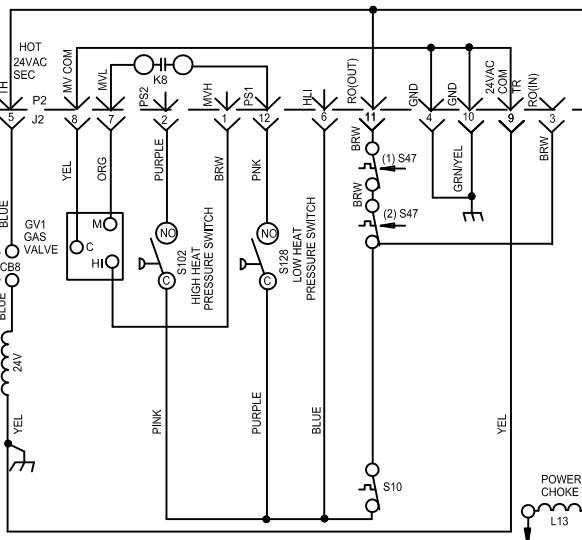
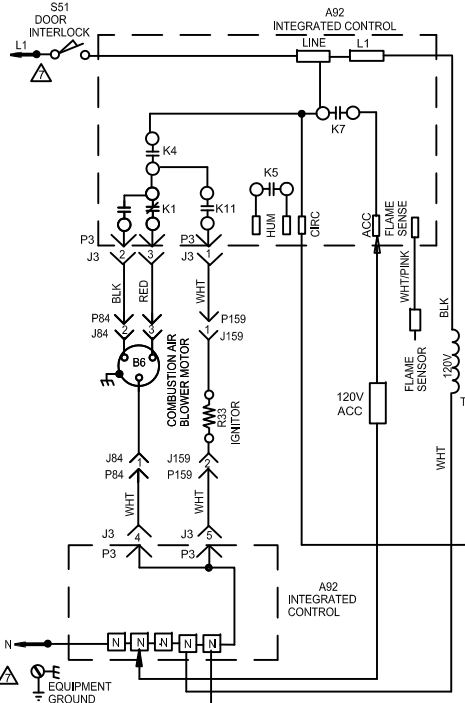
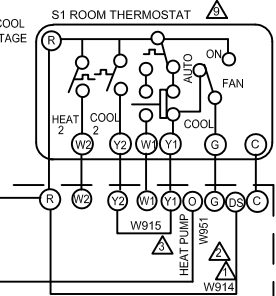
Program unit capacity/size		
Character on 7-segment LED (w dot ON)	Furnace Model	Circulator Motor Size
0	045XV36B	1/2 HP
1	070XV36B	1/2 HP
2	090XV36C	1/2 HP
3	090XV48C	3/4 HP
4	090XV60C	1 HP
5	110XV48C	3/4 HP
6	110XV60C	1 HP
7	135XV60C	1 HP



- ⚠ L13 USED ON 3/4 AND 1 HP ONLY
- ⚠ DIP SWITCH FACTORY DEFAULT IS FOR A TWO STAGE THERMOSTAT
- ⚠ FIELD SUPPLIED ACC WIRE
- ⚠ USE COPPER CONDUCTORS ONLY
- ⚠ DISCHARGE AND OUTDOOR AIR TERMINALS ARE FOR icomfort USE ONLY
- ⚠ THERMOSTAT CONNECTIONS ARE FOR NON-COMMUNICATING SYSTEM ONLY. REFER TO icomfort INSTALLATION INSTRUCTIONS FOR COMMUNICATING SYSTEMS.
- ⚠ DH AND L TERMINALS ARE ONLY USED WITH icomfort THERMOSTAT

NOTE: SEE INSTALLATION INSTRUCTIONS FOR PROCEDURE TO SET CORRECT BLOWER SPEED FOR SPECIFIC COOLING TONNAGE BEING APPLIED, AND HEATING TEMPERATURE RISE DESIRED.

TYPICAL SYSTEM SHOWN FOR 2 HEAT/2 COOL WITH A CONVENTIONAL THERMOSTAT. SEE INSTALLATION INSTRUCTIONS FOR CONNECTIONS TO OTHER EQUIPMENT AND ACCESSORIES.



LENNOX HEATING UNITS-GAS	
EL296UH045XV36B	EL296090UH XV60C
EL296UH070XV36B	EL296UH110XV48C
EL296UH090XV36C	EL296UH110XV60C
EL296UH090XV48C	EL296UH135XV60C

2 HEAT 2 COOL

0612 Supersedes

Form No. 537431-01

WARNING- ELECTRIC SHOCK HAZARD, CAN CAUSE INJURY OR DEATH. UNIT MUST BE GROUNDED IN ACCORDANCE WITH NATIONAL AND LOCAL CODES.

NOTE- IF ANY WIRE IN THIS APPLIANCE IS REPLACED IT MUST BE REPLACED WITH WIRE OF LIKE SIZE, RATING, INSULATION THICKNESS, AND TERMINATION

— LINE VOLTAGE FIELD INSTALLED  
 — CLASS II VOLTAGE FIELD WIRING  
 ← DENOTES OPTIONAL COMPONENTS