

UNIT	FACTORY SHIPPED SETTINGS		SECONDARY LIMITS USED
	HEAT	COOL	
045XV36B	FACTORY DEFAULT	HIGH	FACTORY DEFAULT
070XV48B	FACTORY DEFAULT	HIGH	FACTORY DEFAULT
090XV60C	FACTORY DEFAULT	HIGH	FACTORY DEFAULT
110XV60C	FACTORY DEFAULT	HIGH	FACTORY DEFAULT

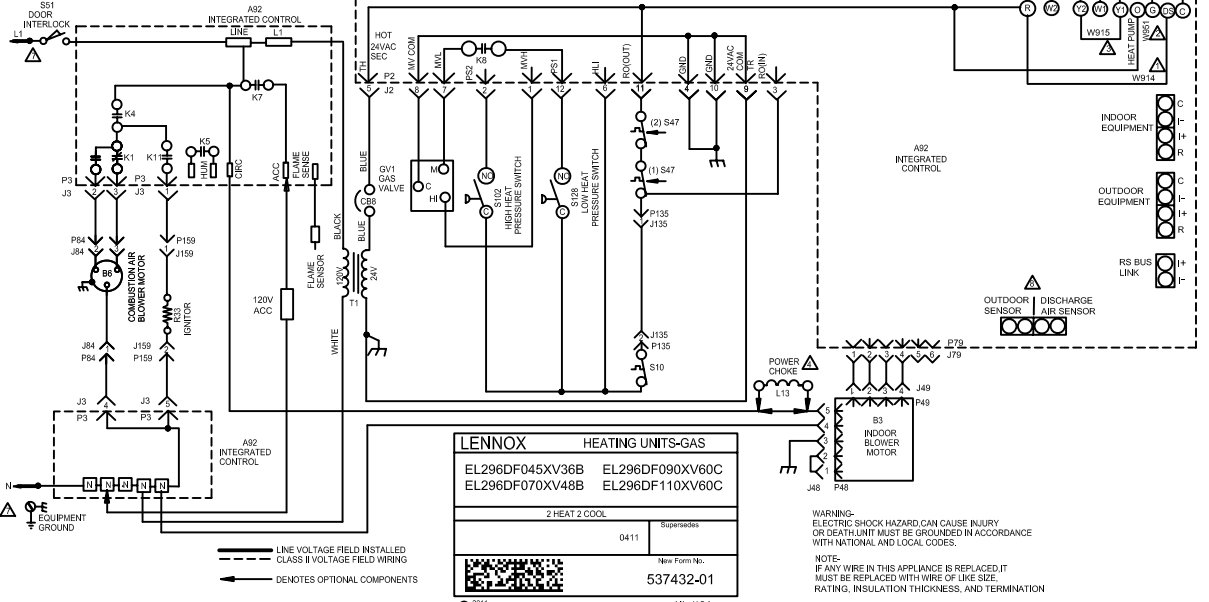
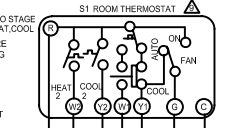
Program unit capacity/size		
Character on 7-segment LED (w dot ON)	Furnace Model	Circulator Motor Size
8	045XV36B	1/2 HP
9	070XV48B	3/4 HP
11	090XV60C	1 HP
U	110XV60C	1 HP

- CUT W914 JUMPER LABELED "DEHUM OR HARMONY" FROM DS TO R. AT A92 CONTROL BOARD, WHEN USED WITH ComfortSense 7000 THERMOSTAT
- CUT W951 JUMPER FROM O TO R, LABELED "HEAT PUMP" AT A92 CONTROL BOARD, WHEN USED FOR DUAL FUEL APPLICATIONS
- JUMPER W915 FROM Y1 TO Y2 IS FACTORY INSTALLED AT A92 CONTROL BOARD. LEAVE IN FOR ONE STAGE COOL THERMOSTAT. CUT JUMPER Y1 TO Y2 FOR TWO STAGE COOL THERMOSTAT.
- L13 USED ON 3/4 AND 1 HP ONLY

THERMOSTAT HEAT ANTICIPATION SETTING	
.85 AMP	HONEYWELL VALVE
.43 AMP	WHITE RODGERS VALVE

NOTE: SEE INSTALLATION INSTRUCTIONS FOR PROCEDURE TO SET CORRECT BLOWER SPEED FOR SPECIFIC COOLING TONNAGE BEING APPLIED, AND HEATING TEMPERATURE RISE REQUIRED.

TYPICAL SYSTEM SHOWN FOR 2 HEAT/2 COOL WITH A CONVENTIONAL THERMOSTAT. SEE INSTALLATION INSTRUCTIONS FOR CONNECTIONS TO OTHER EQUIPMENT AND ACCESSORIES.



**LENNOX HEATING UNITS-GAS**

EL296DF045XV36B   EL296DF090XV60C  
EL296DF070XV48B   EL296DF110XV60C

---

2 HEAT 2 COOL

0411   Supersedes

New Form No.  
**537432-01**

**WARNING-**  
ELECTRIC SHOCK HAZARD, CAN CAUSE INJURY OR DEATH. UNIT MUST BE GROUNDED IN ACCORDANCE WITH NATIONAL AND LOCAL CODES.

NOTE:  
IF ANY WIRE IN THIS APPLIANCE IS REPLACED IT MUST BE REPLACED WITH WIRE OF LIKE SIZE, RATING, INSULATION THICKNESS, AND TERMINATION.

— LINE VOLTAGE FIELD INSTALLED  
--- CLASS II VOLTAGE FIELD WIRING  
◀ DENOTES OPTIONAL COMPONENTS