

BLOWER SPEED CHART

UNIT (INPUT-CFM)	FACTORY-CONNECTED SPEED TAPS			MOTOR SPEEDS AVAIL.	
	COOL	HEAT	PARK		
045-08	BROWN	YELLOW	BLACK, RED	4	
045-12		RED	BLACK, YELLOW	4	
070-12		YELLOW	BLACK, RED	4	
090-12		BROWN	BLACK, YELLOW, RED	4	
090-16		YELLOW	BLACK, RED	4	
110-16		BLACK	BLACK	BROWN, YELLOW, RED	4
110-20		BLACK	BROWN	YELLOW, RED	4
135-20	BLACK	BROWN	YELLOW, RED	4	

BLOWER SPEED SELECTION: HI ← → LO

SPEED TAPS	BLACK	BROWN	YELLOW	RED	4
------------	-------	-------	--------	-----	---

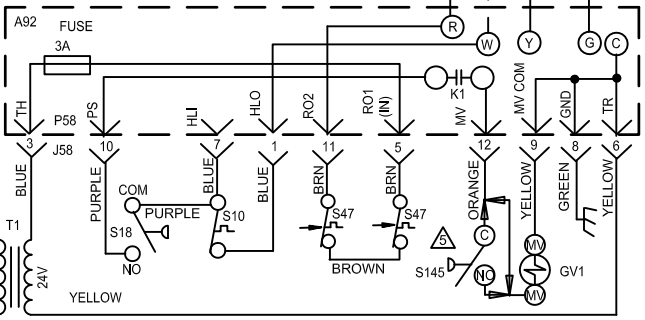
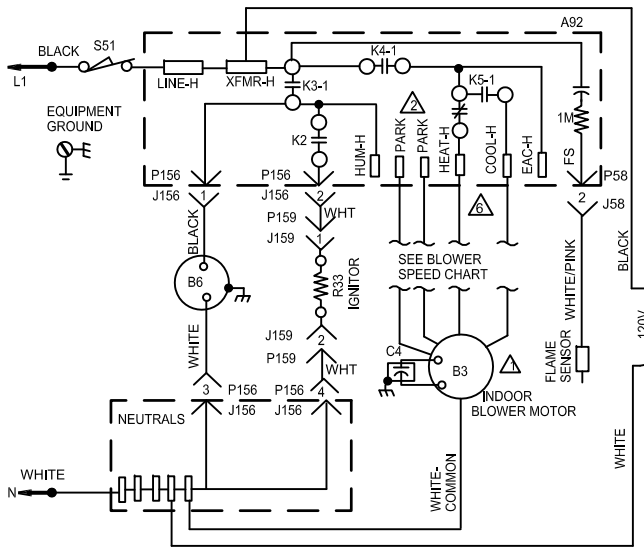
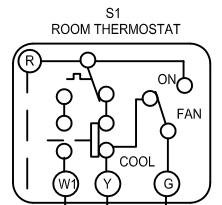
THERMOSTAT HEAT ANTICIPATION SETTINGS

.65 AMP	HONEYWELL VALVE
.50 AMP	WHITE-RODGERS VALVE

JACKPLUG CHART

J.P58	JACK/PLUG-BURNER CONTROL
J.P156	JACK/PLUG-INDUCER/IGNITER
J.P159	JACK/PLUG-IGNITER

- WARNING-**
ELECTRIC SHOCK HAZARD. CAN CAUSE INJURY OR DEATH. UNIT MUST BE GROUNDED IN ACCORDANCE WITH NATIONAL AND LOCAL CODES
- NOTE-**
IF ANY WIRE IN THIS APPLIANCE IS REPLACED, IT MUST BE REPLACED WITH WIRE OF LIKE SIZE, RATING, INSULATION THICKNESS AND TERMINATION
- IMPORTANT-**
TO PREVENT MOTOR BURNOUT, NEVER CONNECT MORE THAN ONE LEAD TO ANY ONE CONNECTION
- PARK TERMINALS ARE UNPOWERED TERMINALS. ALL UNUSED MOTOR LEADS MUST BE WIRED TO A PARK TERMINAL**
- FIELD SUPPLIED ACC. WIRE**
- DO NOT USE RED (LOW SPD) MOTOR LEAD FOR HEATING. LEAVE ON PARK TERMINAL FOR 070B08, 070BP08, 090C12, 090CP12, 110C16, 110CP16, 135D20, AND 135DP20**
- S145 IS USED WITH HONEYWELL GAS VALVE WHEN APPLIED IN LP GAS UNITS**
- HEAT/COOL JUMPER PRESENT ON SOME MODELS**



← DENOTES OPTIONAL COMPONENTS
 — LINE VOLTAGE FIELD INSTALLED
 - - - CLASS II VOLTAGE FIELD WIRING

HEATING UNITS-GAS

Supersedes 0512

Form No. 537434-01

0512

© 2011 L'ho U.S.A.