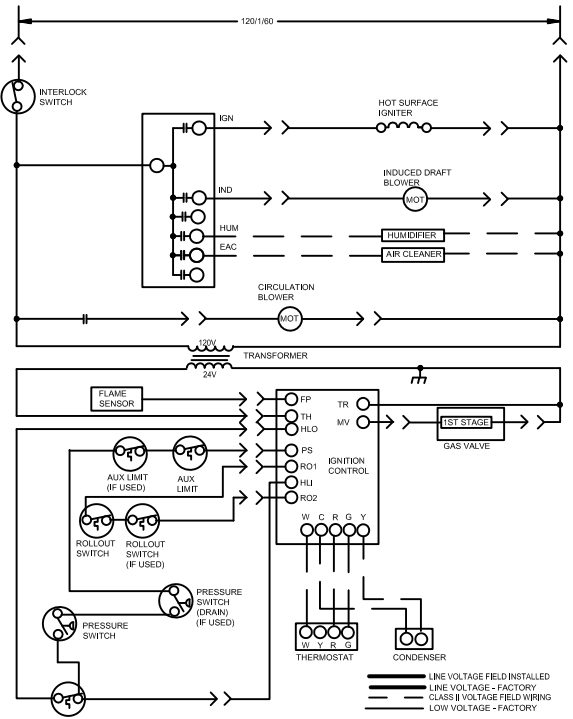


CONNECTION DIAGRAM

⚠ PROPER POLARITY MUST BE OBSERVED FOR FIELD LINE VOLTAGE SUPPLY. IGNITION CONTROL WILL LOCK OUT IF POLARITY IS REVERSED



WIRING SCHEMATIC

WARNING- ELECTRIC SHOCK HAZARD, CAN CAUSE INJURY OR DEATH. UNIT MUST BE GROUNDING IN ACCORDANCE WITH NATIONAL AND LOCAL CODES.
NOTE- IF ANY WIRE IN THIS APPLIANCE IS REPLACED IT MUST BE REPLACED WITH WIRE OF LINE SIZE, RATING, INSULATION THICKNESS, AND TERMINATION

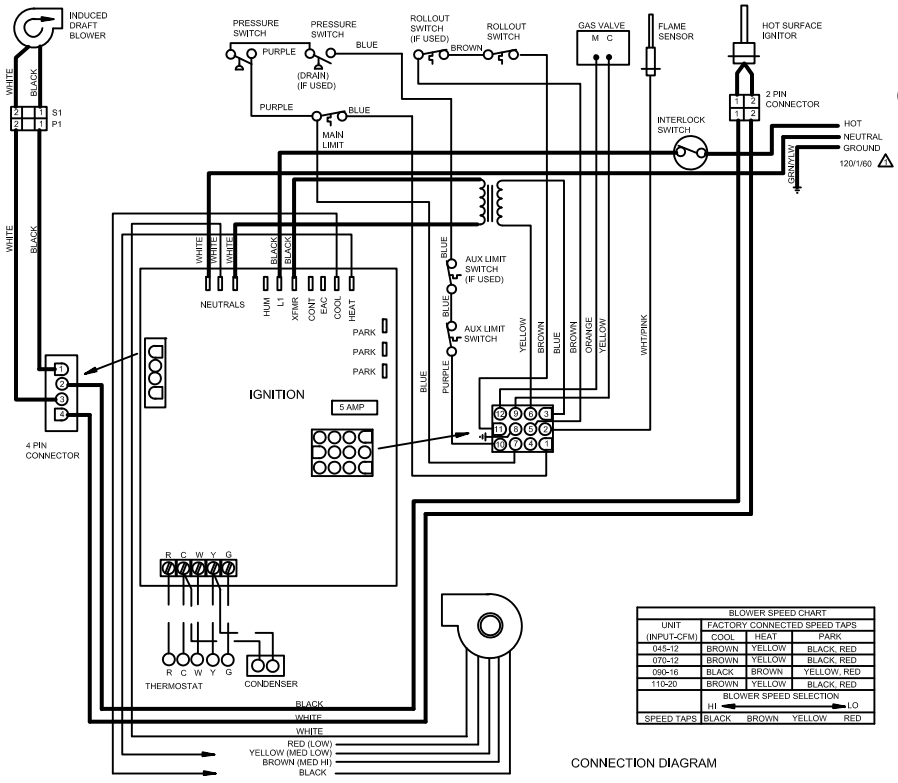
HEATING UNITS-GAS
GAS FIRED SINGLE STAGE FURNACE

Supersedes

Form No. 537436-01

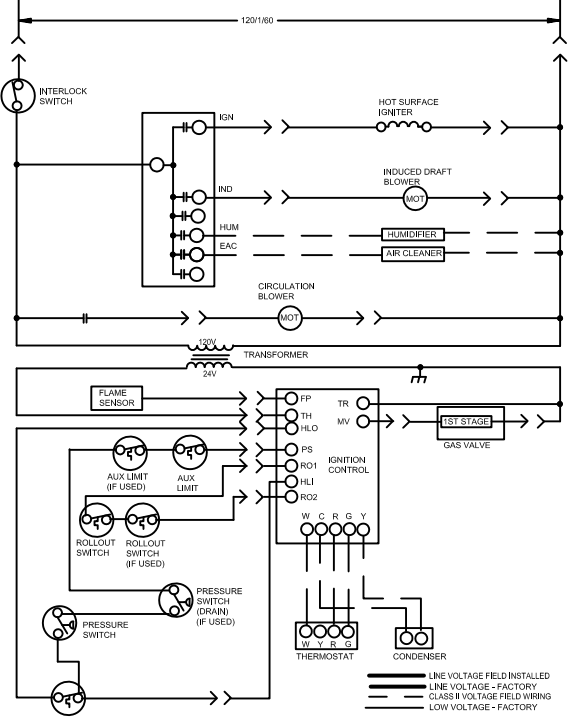
1015

© 2011 Linn U.S.A.



CONNECTION DIAGRAM

⚠ PROPER POLARITY MUST BE OBSERVED FOR FIELD LINE VOLTAGE SUPPLY. IGNITION CONTROL WILL LOCK OUT IF POLARITY IS REVERSED



WIRING SCHEMATIC

WARNING- ELECTRIC SHOCK HAZARD, CAN CAUSE INJURY OR DEATH. UNIT MUST BE GROUNDING IN ACCORDANCE WITH NATIONAL AND LOCAL CODES.
NOTE- IF ANY WIRE IN THIS APPLIANCE IS REPLACED IT MUST BE REPLACED WITH WIRE OF LINE SIZE, RATING, INSULATION THICKNESS, AND TERMINATION

HEATING UNITS-GAS
GAS FIRED SINGLE STAGE FURNACE

Supersedes

Form No. 537436-01

1015

© 2011 Linn U.S.A.