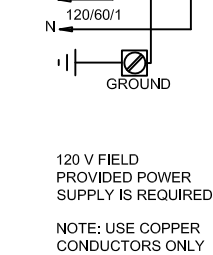
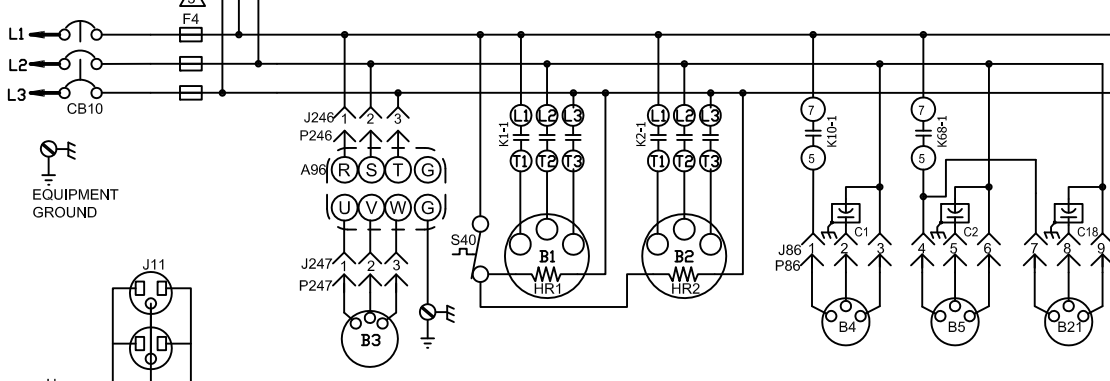
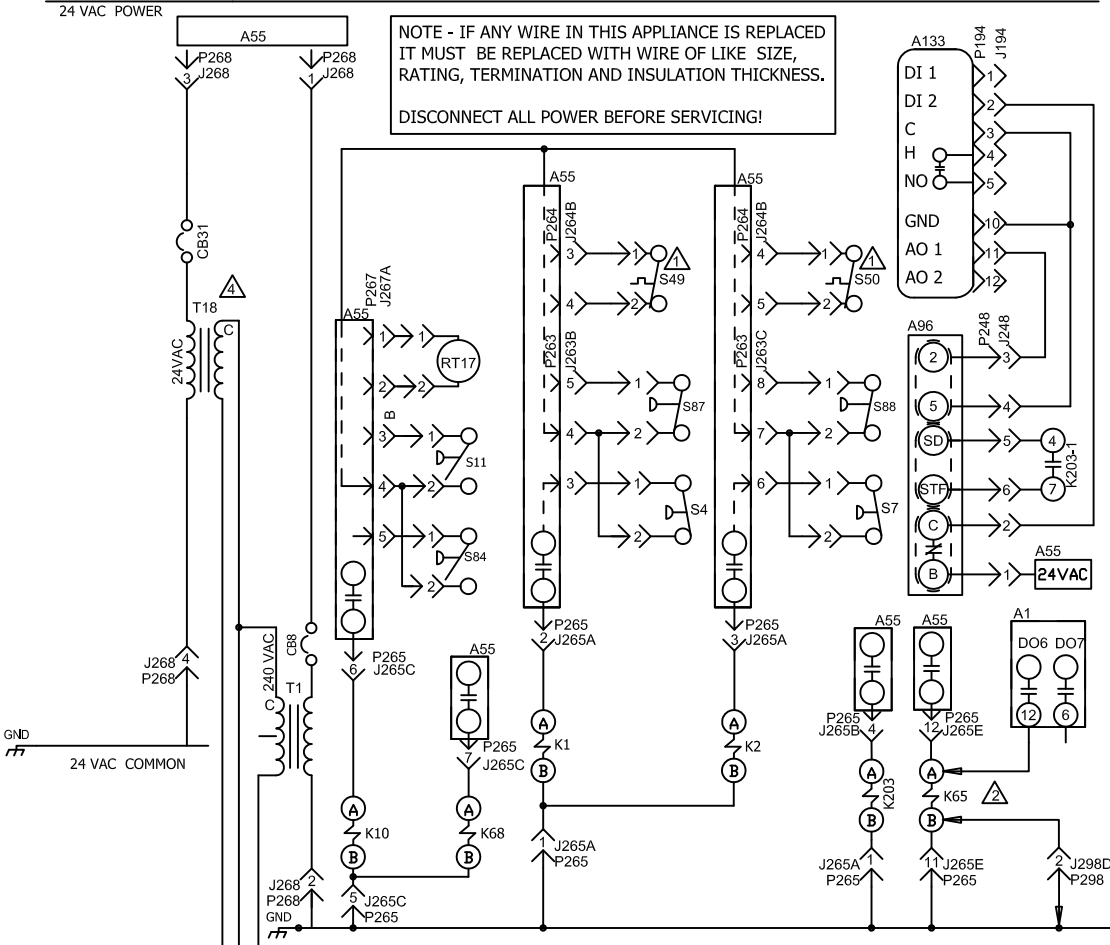


NOTE - IF ANY WIRE IN THIS APPLIANCE IS REPLACED IT MUST BE REPLACED WITH WIRE OF LIKE SIZE, RATING, TERMINATION AND INSULATION THICKNESS.  
DISCONNECT ALL POWER BEFORE SERVICING!


KEY	COMPONENT
A1	PANEL, AUTOMATED LOGIC CONTROL (ALC)
A55	PANEL, MAIN
A96	CONTROL INVERTER
A133	CONTROL, GENERAL PURPOSE
B1	COMPRESSOR 1
B2	COMPRESSOR 2
B3	MOTOR, BLOWER
B4	MOTOR, OUTDOOR FAN 1
B5	MOTOR, OUTDOOR FAN 2
B10	MOTOR, EXHAUST FAN
B21	MOTOR, OUTDOOR FAN 3
C1	CAPACITOR, OUTDOOR FAN 1
C2	CAPACITOR, OUTDOOR FAN 2
C6	CAPACITOR, EXHAUST FAN
C18	CAPACITOR, OUTDOOR FAN 3
CB8	CIRCUIT BREAKER, TRANSFORMER T1
CB10	CIRCUIT BREAKER, MAIN DISCONNECT, UNIT
CB31	CIRCUIT BREAKER, TRANSFORMER T18
F4	FUSE, UNIT
HR1	HEATER, COMPRESSOR 1
HR2	HEATER, COMPRESSOR 2
J11	JACK, GFI RECEPTICLE
K1-1	CONTACTOR, COMPRESSOR 1
K2-1	CONTACTOR, COMPRESSOR 2
K10-1	RELAY, OUTDOOR FAN 1
K65-1,2	RELAY, EXHAUST FAN
K68-1	RELAY, OUTDOOR FAN 2
K203-1	RELAY, INVERTER START/RUN
RT17	SENSOR, OUTSIDE AIR TEMPERATURE
S4	SWITCH, LIMIT HI PRESS COMP 1
S7	SWITCH, LIMIT HI PRESS COMPRESS 2
S11	SWITCH, LOW PRESS, LOW AMBIENT KIT COMP 1
S40	THERMOSTAT, CRANKCASE
S48	SWITCH, DISCONNECT
S49	SWITCH, FREEZESTAT COMP 1
S50	SWITCH, FREEZESTAT COMP 2
S84	SWITCH, LOW PRESS, LOW AMBIENT KIT COMP 2
S87	SWITCH, LOW PRESS, COMPRESSOR 1
S88	SWITCH, LOW PRESS, COMPRESSOR 2
T1	TRANSFORMER, CONTROL
T18	TRANSFORMER, PHASE MONITOR
TB2	TERMINAL STRIP, UNIT
TB13	TERMINAL STRIP, POWER DISTRIBUTION



J/P	JACK/PLUG DESCRIPTION
18	POWER, EXHAUST FAN
86	POWER, OUTDOOR FAN INTERFACE
132	POWER, EXHAUST FAN MOTOR
194	GP CONTROL INPUT/OUTPUT
246	POWER TO VFD
247	POWER, VFD TO MOTOR
248	VFD CONTROL
263	HIGH AND LOW PRESSURE SWITCHES
264	BLOWER DECK
265	CONTACTORS AND RELAYS
267	OUTDOOR FAN AREA
268	TRANSFORMER T1 POWER

- ⚠ S49 AND S50 ARE PART OF 5VDC CIRCUIT
- ⚠ K65 IS CONTROLLED BY A1 ONLY IN TARGET ALC APPLICATIONS
- ⚠ USED ON SCC UNITS WITH ELECTRIC HEAT ONLY
- ⚠ MOVE WIRE FROM 240 TO 208 TAP ON T1 AND T18 TRANSFORMERS FOR 208 LINE VOLTAGE APPLICATIONS.

— DENOTES OPTIONAL COMPONENTS  
**—** LINE VOLTAGE FIELD INSTALLED

02/12	 STRATEGOS B-BOX WIRING DIAGRAM 537458-01	02/12
COOLING -MSAV		
SCC/SGC - 120 - G, J, M, Y		
SECTION B		REV 2
Supersedes	New Form No. 537458-01	