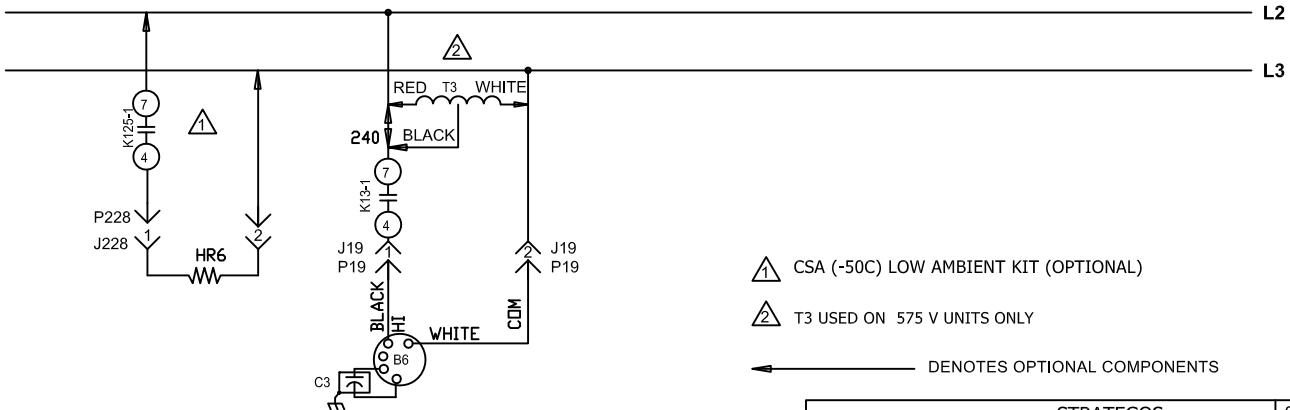
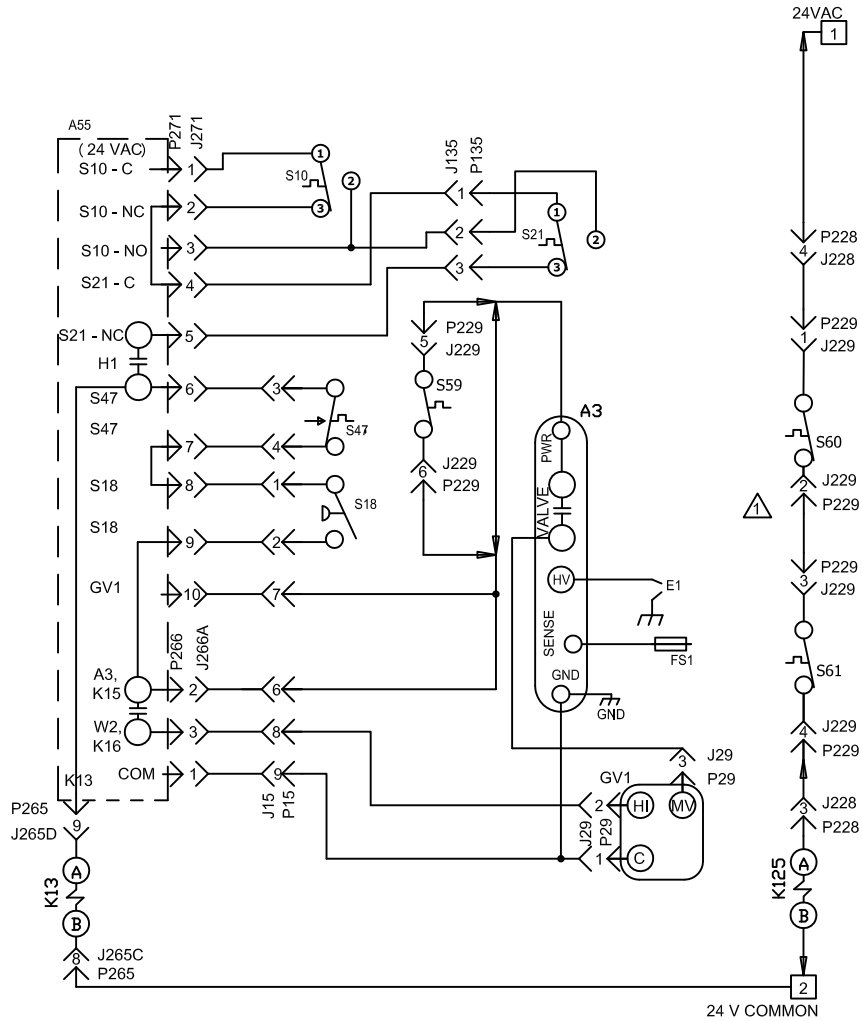



KEY	DESCRIPTION
A3	CONTROL, BURNER 1
A55	CONTROL, MAIN BOARD LENNOX
B6	MOTOR COMBUSTION AIR BLOWER
C3	CAPACITOR, COMB AIR BLOWER 1
E1	SPARK
FS1	SENSOR FLAME
GV1	VALVE GAS 1
HR6	HEATER, -50C LOW AMBIENT KIT
J15	JACK, BURNER 1
J19	JACK, COMBUSTION AIR BLOWER 1
J29	JACK, GAS 1 HONEYWELL VALVE
J135	JACK, PRIMARY LIMIT
J228	JACK, VESTIBULE HEATER
J229	JACK, VESTIBULE HEATER CONTROL 1
J265C	JACK, CONTACTOR RELAY
J266A	JACK, HEATING CONTROL STG 1
J271A,B	JACK, HEATING SENSORS STG 1
K13,-1	RELAY, COMBUSTION AIR BLOWER
K123,-1	RELAY, SINGLE THROW LIMIT
K125,-1	RELAY, HEAT SHUT OFF
P15	PLUG, BURNER 1
P19	PLUG, COMBUSTION AIR BLOWER 1
P29	PLUG, GAS 1 HONEYWELL VALVE
P135	PLUG, PRIMARY LIMIT
P228	PLUG, VESTIBULE HEATER
P229	PLUG, VESTIBULE HEATER CONTROL 1
P265	PLUG, CONTACTOR RELAY
P266	PLUG, HEATING CONTROL
P271	PLUG, HEATING SENSORS STG 1
S10	SWITCH, LIMIT PRIMARY GAS
S18	SWITCH, COMBUSTION AIR BLOWER PROOF
S21	SWITCH, LIMIT SECONDARY GAS
S47	SWITCH FLAME ROLLOUT BURNER
S59	TSTAT, OPEN -20F, CLOSE 10F
S60	TSTAT, OPEN 20F, CLOSE -10F
S61	TSTAT, OPEN 50F, CLOSE 20F
T3	TRANSFORMER COMB AIR BWR 1



⚠ CSA (-50C) LOW AMBIENT KIT (OPTIONAL)

⚠ T3 USED ON 575 V UNITS ONLY

← DENOTES OPTIONAL COMPONENTS

01/12		STRATEGOS WIRING DIAGRAM 537459-01	01/12
HEATING			
GAS HEAT SGC - 120 - G,J,Y,M			
SECTION A			REV 1
Supersedes		New Form No. 537459-01	