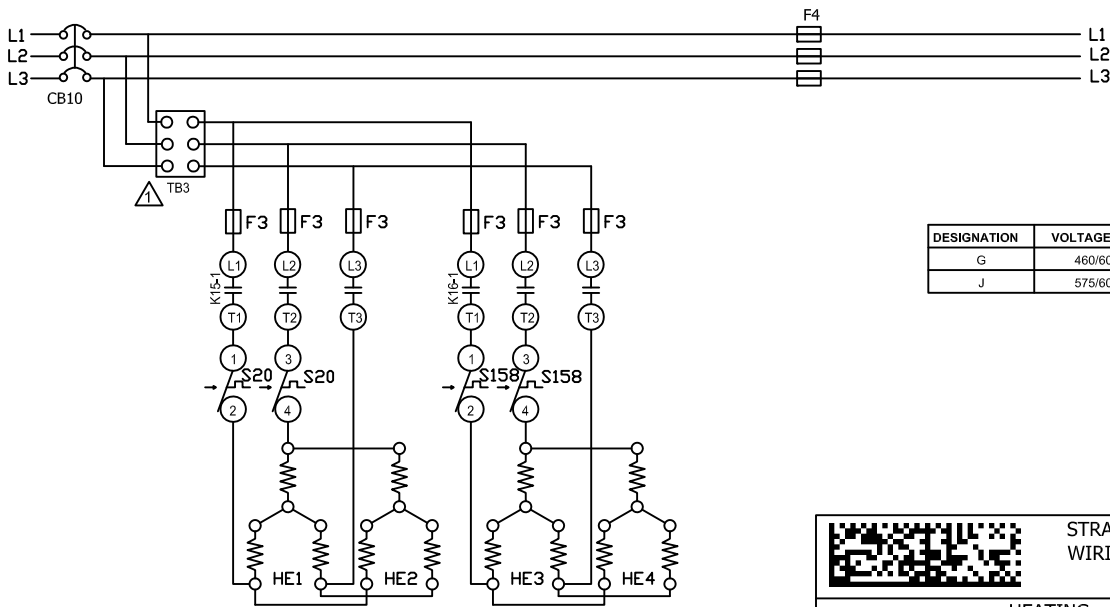


KEY	DESCRIPTION
A55	CONTROL, BOARD LENNOX
CB10	CIRCUIT BREAKER, MAIN DISCONNECT
F3	FUSE, ELECTRIC HEAT
F4	FUSE, UNIT
HE1	ELEMENT, ELECTRIC HEAT 1
HE2	ELEMENT, ELECTRIC HEAT 2
HE3	ELEMENT, ELECTRIC HEAT 3
HE4	ELEMENT, ELECTRIC HEAT 4
J7	JACK, ELECTRIC HEAT SUB-BASE KIT
J265	JACK, CONTACTOR RELAY
J266	JACK, HEATING CONTROL
J271	JACK, HEATING SENSORS STG 1
K15,-1	CONTACTOR, ELECTRIC HEAT 1,2
K16,-1	CONTACTOR, ELECTRIC HEAT 1A,2A
P7	PLUG, ELECTRIC HEAT SUB-BASE KIT
P265	PLUG, CONTACTOR RELAY
P266	PLUG, HEATING CONTROL
P271	PLUG, HEATING SENSORS STG 1
S15	SWITCH, LIMIT PRIMARY ELECTRIC HEAT
S20	SWITCH, LIMIT SECONDARY ELECTRIC HEAT 1,2
S158	SWITCH, LIMIT SECONDARY ELECTRIC HEAT 2A
TB3	TERMINAL STRIP, ELECTRIC HEAT

⚠ TB3 IS USED IN SOME UNITS

KW	HE1	HE2	H1A	H2A	HE3	HE4	HE5	HE6	HE7	HE8
45	15				15	15				
60	15	15			15	15				



DESIGNATION	VOLTAGE
G	460/60/3
J	575/60/3

← DENOTES OPTIONAL COMPONENTS

	STRATEGOS WIRING DIAGRAM	11/11
	HEATING	
ELECTRIC HEAT FOR STRATEGOS™ EHA/EHB - 45,60 - G,J		
SECTION A		REV 0
Supersedes	New Form No.	537475-01