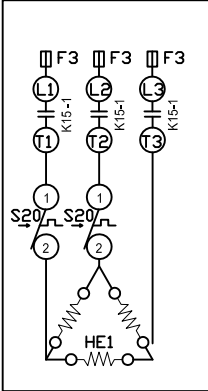
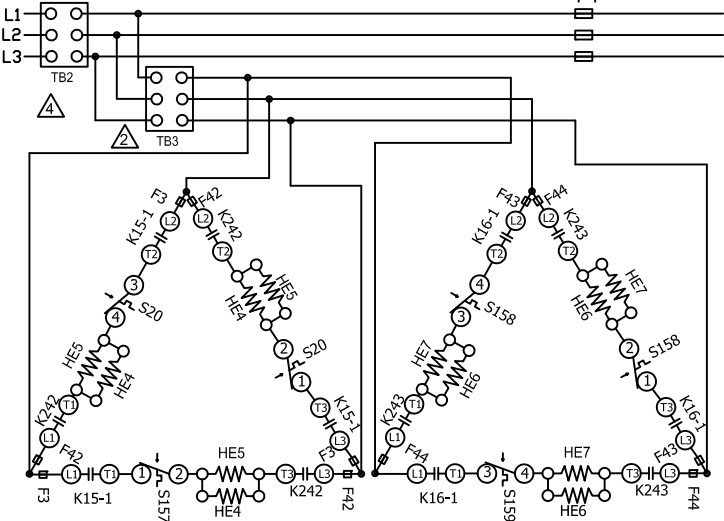


DESIGNATION	VOLTAGE
Y	208 - 230/60/3


KEY	DESCRIPTION
A55	PANEL, MAIN
F3	FUSE, ELECTRIC HEAT 1
F4	FUSE, UNIT
F42	FUSE, ELECTRIC HEAT 2
F43	FUSE, ELECTRIC HEAT 3
F44	FUSE, ELECTRIC HEAT 4
HE1	ELEMENT, ELECTRIC HEAT 1
HE4	ELEMENT, ELECTRIC HEAT 4
HE5	ELEMENT, ELECTRIC HEAT 5
HE6	ELEMENT, ELECTRIC HEAT 6
HE7	ELEMENT, ELECTRIC HEAT 7
J7	JACK, ELECTRIC HEAT SUB-BASE KIT
J265	JACK, CONTACTOR RELAY
J266	JACK, HEATING CONTROL
J271	JACK, HEATING SENSORS 1
K15,-1	CONTACTOR, ELECTRIC HEAT 1,2
K16,-1	CONTACTOR, ELECTRIC HEAT 1A,2A
K242	CONTACTOR, ELECTRIC HEAT 1,2
K243	CONTACTOR, ELECTRIC HEAT 1A,2A
P7	PLUG, ELECTRIC HEAT SUB-BASE KIT
P271	PLUG, HEATING SENSORS 1
P265	PLUG, CONTRACTOR RELAY
P266	PLUG, HEATING CONTROL
S15	SWITCH, LIMIT PRIMARY ELECTRIC HEAT
S20	SWITCH, LIMIT SECONDARY ELEC HEAT 1
S157	SWITCH, LIMIT SECONDARY ELEC HEAT 2
S158	SWITCH, LIMIT SECONDARY ELEC HEAT 3
S159	SWITCH, LIMIT SECONDARY ELEC HEAT 4
TB2	TERMINAL STRIP, UNIT
TB3	TERMINAL STRIP, ELECTRIC HEAT

KW	HE1	HE2	HE3	HE4	HE5	HE6	HE7
45	15					15	15
60				15	15	15	15



- ⚠ TB3 IS USED IN SOME UNITS
- ⚠ REMOVE JUMPER PLUG WHEN FIELD INSTALLING ELECTRIC HEAT
- ⚠ TB2, CB10 OR S48 MAY BE USED

← DENOTES OPTIONAL COMPONENTS

01/15	 STRATEGOS WIRING DIAGRAM 537476-02	01/15
		HEATING
EHA/EHB- 45, 60 -Y		
SECTION A		REV 0
Supersedes	New Form No. 537476-02	