

BLOWER SPEED CHART					MOTOR SPEEDS AVAIL.	SECONDARY LIMITS USED
UNIT	COOL	HI HEAT	LO HEAT	PARK		
070P24A	BLACK	BROWN	YELLOW	RED	4	2
070P36A	BLACK	YELLOW	RED	BROWN	4	2
090P36B	BLACK	BROWN	YELLOW	RED	4	2
090P48B	BLACK	YELLOW	RED	BROWN	4	2
110P49C	BLACK	BROWN	YELLOW	RED	4	2
110P60C	BROWN	YELLOW	RED	BLACK	4	2
135P60D	BROWN	YELLOW	RED	BLACK	4	2
070XP36A	BLACK	YELLOW	RED	BROWN	4	2
090XP48B	BLACK	YELLOW	RED	BROWN	4	2
110XP60C	BROWN	YELLOW	RED	BLACK	4	2

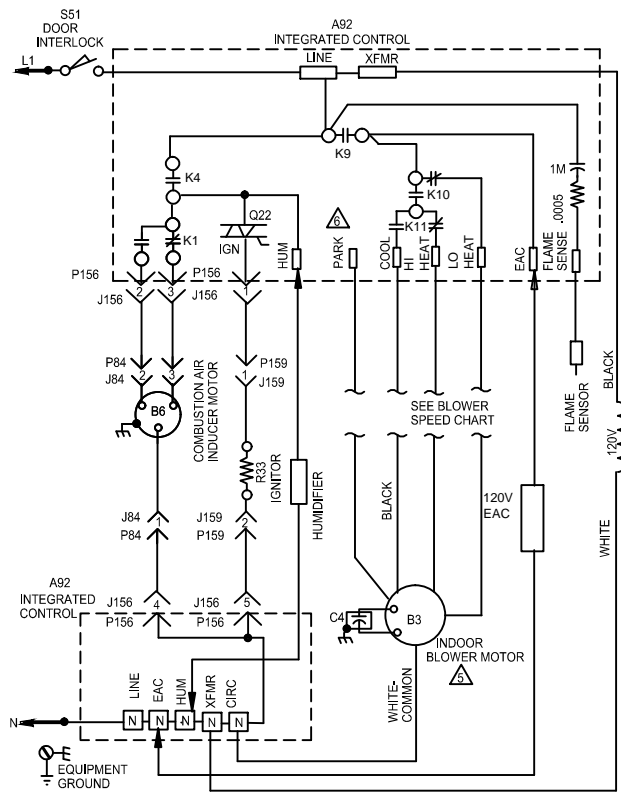
HI ← BLOWER SPEED SELECTION → LO

SPEED TAPS	BLACK	BROWN	YELLOW	RED	4
------------	-------	-------	--------	-----	---

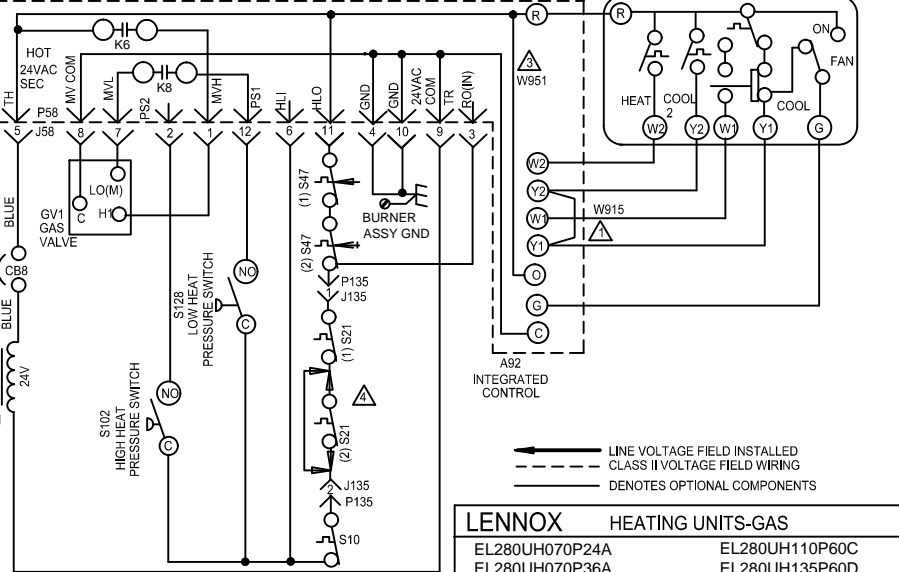
JACKPLUG CHART	
J.P58	JACK/PLUG-BURNER CONTROL
J.P84	JACK/PLUG-COMB, AIR INDUCER
J.P135	JACK/PLUG SECONDARY LIMIT
J.P156	JACK/PLUG-INDUCER
J.P159	JACK/PLUG-IGNITOR

THERMOSTAT HEAT ANTICIPATION SETTING	
50 AMP	HONEYWELL VALVE
43 AMP	WHITE RODGERS VALVE

- JUMPER W915 FROM Y1 TO Y2, LABELED "2 STAGE COOL COMPRT", IS FACTORY INSTALLED AT A92 CONTROL BOARD. LEAVE IN FOR ONE STAGE COOL THERMOSTAT, CUT JUMPER FOR TWO STAGE COOL THERMOSTAT.
- FACTORY DEFAULT IS FOR A 2 STAGE THERMOSTAT CUT W951 JUMPER FROM O TO R, LABELED "HEAT PUMP", AT A92 CONTROL BOARD, WHEN USED FOR DUAL FUEL APPLICATIONS.
- FOR CORRECT NUMBER OF SECONDARY LIMITS USED, SEE SECONDARY LIMIT SECTION OF BLOWER SPEED CHART.
- IMPORTANT- TO PREVENT MOTOR BURNOUT, NEVER CONNECT MORE THAN ONE MOTOR LEAD TO ANY ONE CONNECTION.
- PARK TERMINAL IS A UNPOWERED TERMINAL. ALL UNUSED MOTOR LEADS MUST BE WIRED TO THE PARK TERMINAL.
- USE COPPER CONDUCTORS ONLY



- TERMINAL #1 IS USED FOR ERROR CODE RECALL ONLY. SEE INSTALLATION INSTRUCTIONS FOR DETAILS.
- 24V POWER IS PROVIDED FOR OPTIONAL HUMIDIFIER DURING HEAT DEMAND



WARNING- ELECTRIC SHOCK HAZARD CAN CAUSE INJURY OR DEATH. UNIT MUST BE GROUNDED IN ACCORDANCE WITH NATIONAL AND LOCAL CODES.

NOTE- IF ANY WIRE IN THIS APPLIANCE IS REPLACED IT MUST BE REPLACED WITH WIRE OF LIKE SIZE, RATING, INSULATION THICKNESS AND TERMINATION.

TYPICAL SYSTEM SHOWN FOR 2 HEAT/2 COOL WITH A CONVENTIONAL THERMOSTAT. SEE INSTALLATION INSTRUCTIONS FOR CONNECTION TO OTHER EQUIPMENT AND ACCESSORIES

LENNOX HEATING UNITS-GAS	
EL280UH070P24A	EL280UH110P60C
EL280UH070P36A	EL280UH135P60D
EL280UH090P36B	EL280UH070XP36A
EL280UH090P48B	EL280UH090XP48B
EL280UH110P48C	EL280UH110XP60C

2 HEAT 2 COOL

Supersedes 0112

Form No. 537488-01

Litho U.S.A.

