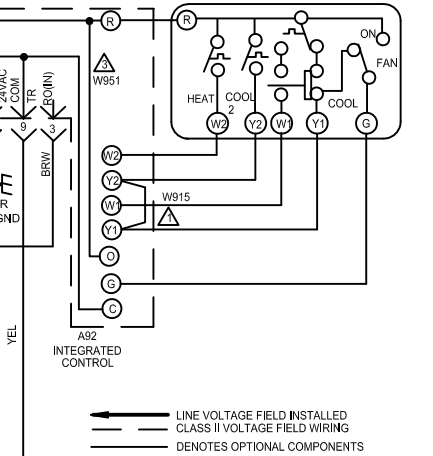
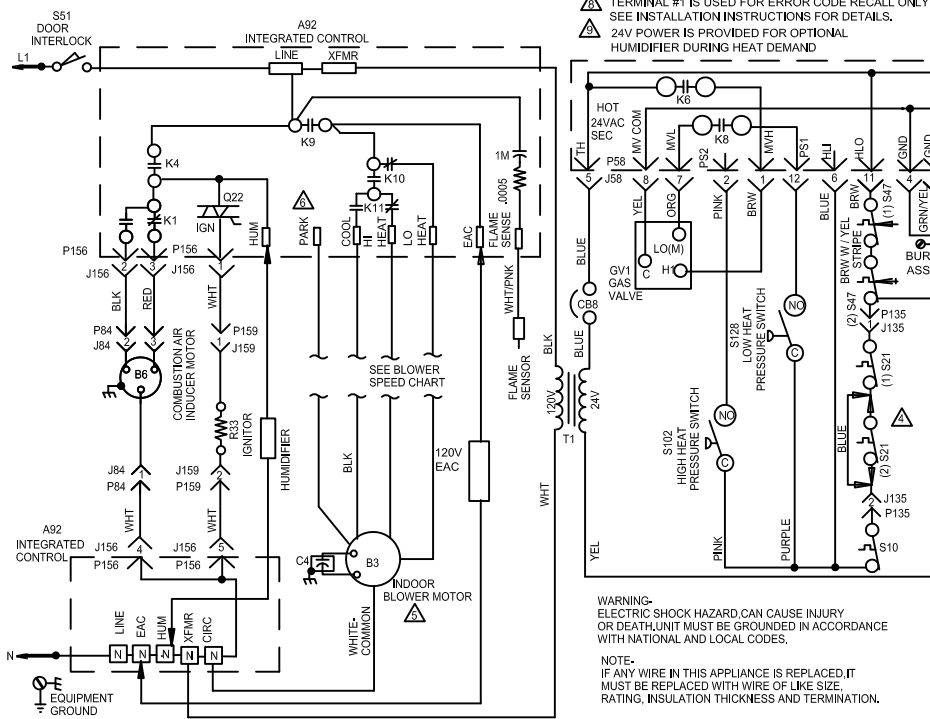


BLOWER SPEED CHART						
UNIT	FACTORY CONNECTED SPEED TAPS				MOTOR SPEEDS AVAIL.	SECONDARY LIMITS USED
	COOL	HI HEAT	LO HEAT	PARK		
070P24A	BLACK	BROWN	YELLOW	RED	4	2
070P36A	BLACK	YELLOW	RED	BROWN	4	2
090P36B	BLACK	BROWN	YELLOW	RED	4	2
090P48B	BLACK	YELLOW	RED	BROWN	4	2
110P48C	BLACK	BROWN	YELLOW	RED	4	2
110P60C	BROWN	YELLOW	RED	BLACK	4	2
135P60D	BROWN	YELLOW	RED	BLACK	4	2
070XP36A	BLACK	YELLOW	RED	BROWN	4	2
090XP48B	BLACK	YELLOW	RED	BROWN	4	2
110XP60C	BROWN	YELLOW	RED	BLACK	4	2

JACKPLUG CHART	
J P58	JACKPLUG-BURNER CONTROL
J P84	JACKPLUG-COMB. AIR INDUCER
J P135	JACKPLUG-SECONDARY LIMIT
J P156	JACKPLUG-INDUCER
J P159	JACKPLUG-IGNITOR

THERMOSTAT HEAT ANTICIPATION SETTING	
.50 AMP	HONEYWELL VALVE
.43 AMP	WHITE RODGERS VALVE

- ⚠️ JUMPER W915 FROM Y1 TO Y2, LABELED "2 STAGE COOL", IS FACTORY INSTALLED AT A92 CONTROL BOARD. LEAVE IN FOR ONE STAGE COOL THERMOSTAT, CUT JUMPER FOR TWO STAGE COOL THERMOSTAT.
- ⚠️ FACTORY DEFAULT IS FOR A 2 STAGE THERMOSTAT
- ⚠️ CUT W951 JUMPER FROM O TO R, LABELED "HEAT PUMP", AT A92 CONTROL BOARD, WHEN USED FOR DUAL FUEL APPLICATIONS.
- ⚠️ FOR CORRECT NUMBER OF SECONDARY LIMITS USED, SEE SECONDARY LIMIT SECTION OF BLOWER SPEED CHART.
- ⚠️ IMPORTANT- TO PREVENT MOTOR BURNOUT, NEVER CONNECT MORE THAN ONE MOTOR LEAD TO ANY ONE CONNECTION.
- ⚠️ PARK TERMINAL IS A UNPOWERED TERMINAL. ALL UNUSED MOTOR LEADS MUST BE WIRED TO THE PARK TERMINAL.
- ⚠️ USE COPPER CONDUCTORS ONLY



LENNOX HEATING UNITS-GAS		
EL280UH070P24A	EL280UH110P60C	
EL280UH070P36A	EL280UH135P60D	
EL280UH090P36B	EL280UH070XP36A	
EL280UH090P48B	EL280UH090XP48B	
EL280UH110P48C	EL280UH110XP60C	

2 HEAT 2 COOL  
Supersedes

1214 Form No. 537488-01  
Litho U.S.A.

- ⚠️ TERMINAL #1 IS USED FOR ERROR CODE RECALL ONLY. SEE INSTALLATION INSTRUCTIONS FOR DETAILS.
- ⚠️ 24V POWER IS PROVIDED FOR OPTIONAL HUMIDIFIER DURING HEAT DEMAND

WARNING- ELECTRIC SHOCK HAZARD, CAN CAUSE INJURY OR DEATH. UNIT MUST BE GROUNDED IN ACCORDANCE WITH NATIONAL AND LOCAL CODES.

NOTE- IF ANY WIRE IN THIS APPLIANCE IS REPLACED IT MUST BE REPLACED WITH WIRE OF LIKE SIZE, RATING, INSULATION THICKNESS AND TERMINATION.

TYPICAL SYSTEM SHOWN FOR 2 HEAT/2 COOL WITH A CONVENTIONAL THERMOSTAT. SEE INSTALLATION INSTRUCTIONS FOR CONNECTION TO OTHER EQUIPMENT AND ACCESSORIES