

BLOWER SPEED CHART						
UNIT	FACTORY CONNECTED SPEED TAPS				MOTOR SPEEDS AVAILABLE	SECONDARY LIMITS USED
	COOL	HI HEAT	LO HEAT	PARK		
045P24A	BLACK/YELLOW	RED	BROWN		4	1
070P36A	BLACK/YELLOW	RED	BROWN		4	1
090P36B	BLACK/BROWN	YELLOW	RED		4	1
090P48B	BLACK/YELLOW	RED	BROWN		4	1
110P60C	BROWN/YELLOW	RED	BLACK		4	1
070XP36A	BLACK/YELLOW	RED	BROWN		4	1
090XP48B	BLACK/YELLOW	RED	BROWN		4	1

BLOWER SPEED SELECTION					
HI		LO			
SPEED TAPS	BLACK	BROWN	YELLOW	RED	4

TYPICAL SYSTEM SHOWN FOR 2 HEAT/2 COOL WITH A CONVENTIONAL THERMOSTAT. SEE INSTALLATION INSTRUCTIONS FOR CONNECTION TO OTHER EQUIPMENT AND ACCESSORIES.

WARNING- ELECTRIC SHOCK HAZARD, CAN CAUSE INJURY OR DEATH. UNIT MUST BE GROUNDED IN ACCORDANCE WITH NATIONAL AND LOCAL CODES.

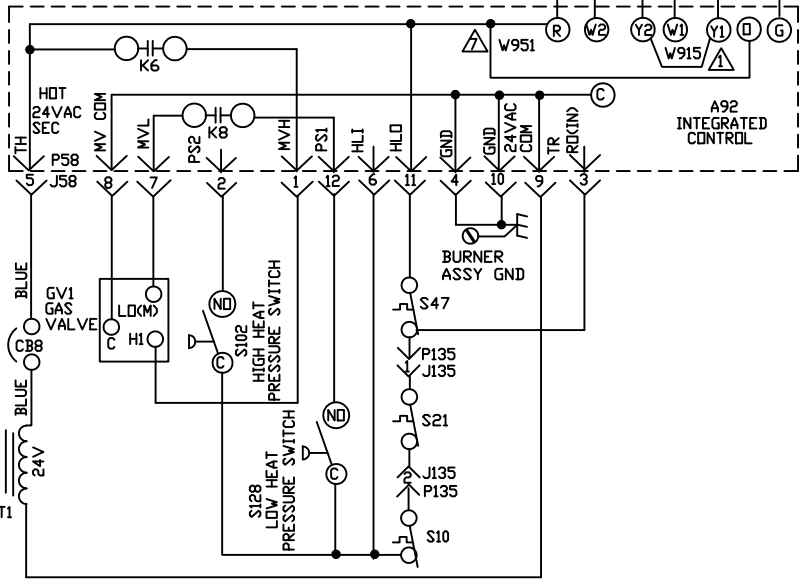
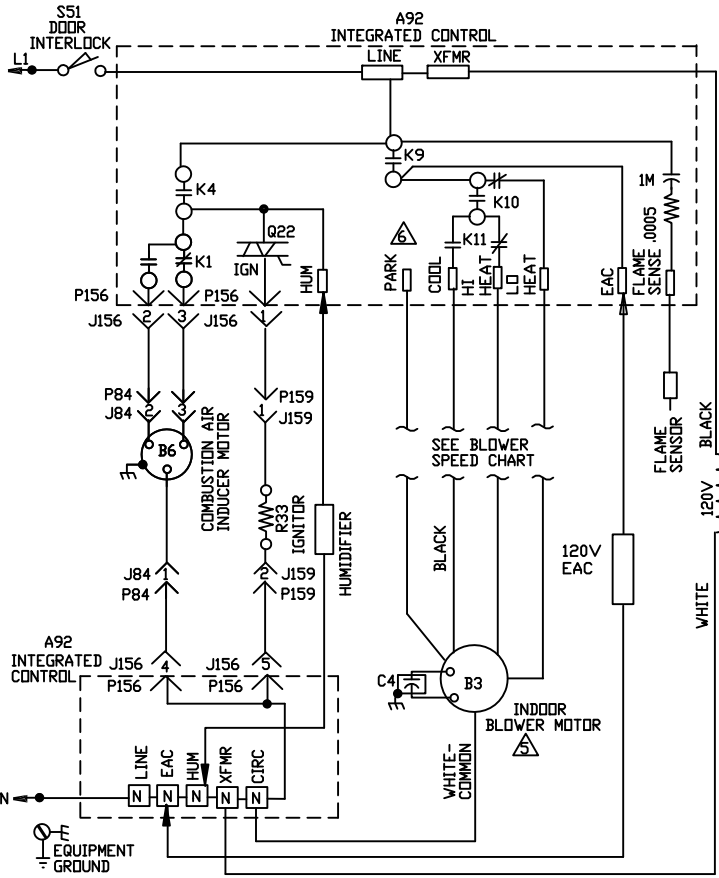
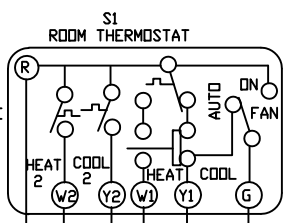
IF ANY WIRE IN THIS APPLIANCE IS REPLACED, IT MUST BE REPLACED WITH WIRE OF LIKE SIZE, RATING, INSULATION THICKNESS, AND TERMINATION.

JACKPLUG CHART	
J.P58	JACK/PLUG-IGNITION CONTROL
J.P84	JACK/PLUG-COMB AIR INDUCER
J.P135	JACK/PLUG-SECONDARY LIMIT
J.P156	JACK/PLUG-INDUCER/IGNITER
J.P159	JACK/PLUG-IGNITER

THERMOSTAT HEAT ANTICIPATION SETTING	
.50 AMP	HONEYWELL VALVE
.43 AMP	WHITE RODGERS VALVE

- ⚠️ JUMPER W915 FROM Y1 TO Y2, LABELED '2 STAGE COMP', IS FACTORY INSTALLED AT A92 CONTROL BOARD. LEAVE IN FOR ONE STAGE COOL THERMOSTAT, CUT JUMPER FOR TWO STAGE COOL THERMOSTAT.
- ⚠️ FACTORY DEFAULT IS FOR A TWO STAGE HEAT, COOL THERMOSTAT.
- ⚠️ TERMINAL #1 IS USED FOR ERROR CODE RECALL ONLY. SEE INSTALLATION INSTRUCTIONS FOR DETAILS.
- ⚠️ USE COPPER CONDUCTORS ONLY.
- ⚠️ IMPORTANT- TO PREVENT MOTOR BURNOUT, NEVER CONNECT MORE THAN ONE MOTOR LEAD TO ANY ONE CONNECTION.
- ⚠️ PARK TERMINAL IS A UNPOWERED TERMINAL. ALL UNUSED MOTOR LEADS MUST BE WIRED TO THE PARK TERMINAL.
- ⚠️ CUT W951 JUMPER FROM D TO R, LABELED 'HEAT PUMP', AT A92 CONTROL BOARD, WHEN USED FOR DUAL FUEL APPLICATIONS.



— LINE VOLTAGE FIELD INSTALLED  
 - - - CLASS II VOLTAGE FIELD WIRING  
 ⚠️ DENOTES OPTIONAL COMPONENTS

LENNOX HEATING UNITS-GAS	
EL280DF045P24A	EL280DF110P60C
EL280DF070P36A	EL280DF070XP36A
EL280DF090P36B	EL280DF090XP48B
EL280DF090P48B	

2 HEAT 2 COOL  
 1211 Supersedes



New Form No.  
 537489-01