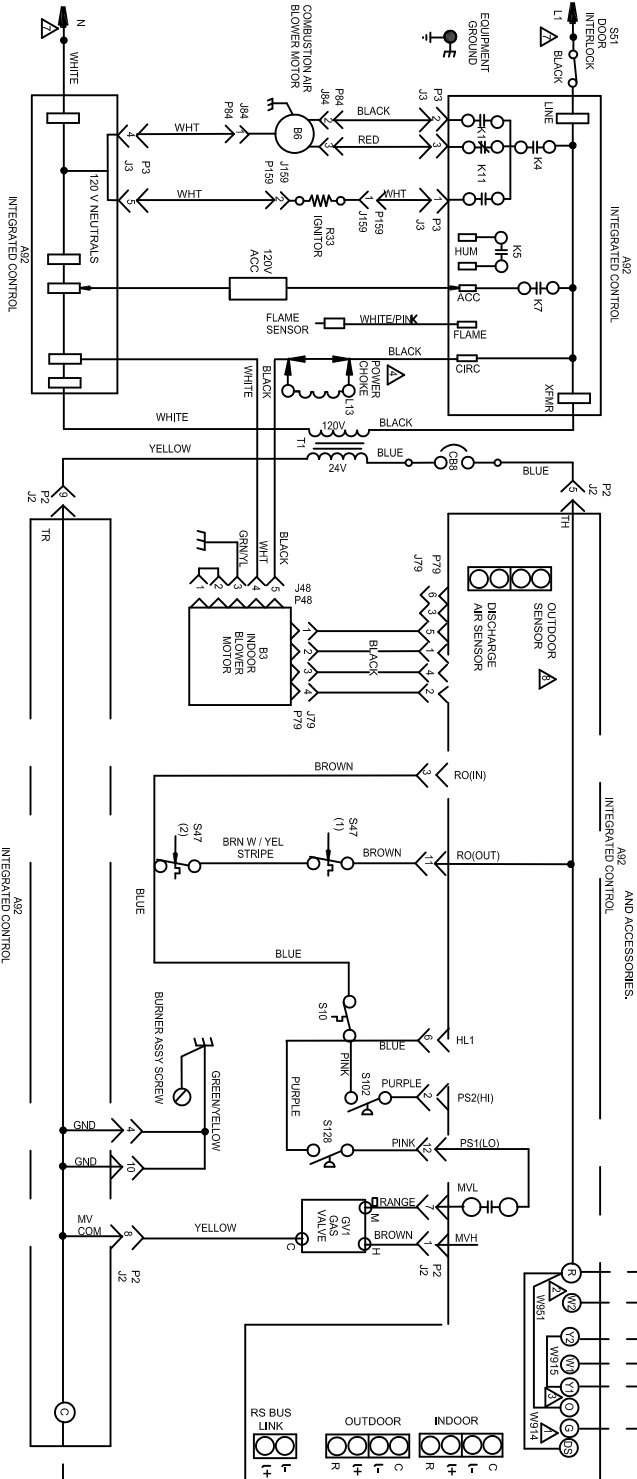
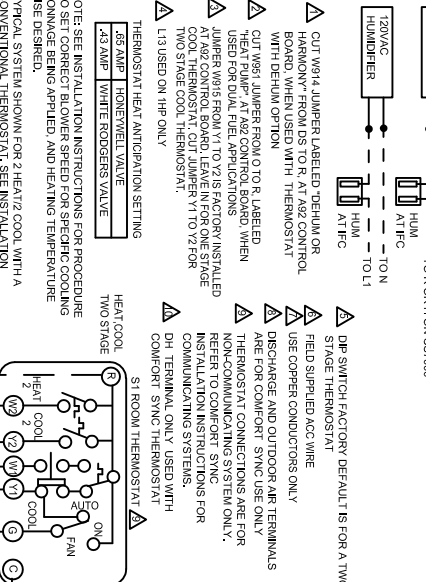


BLOWER SPEED CHART

Blower Model	Factory Shipped Settings	Heat	Cool	Adjust
048B125	HEAT	COOL	ADJUST	
078B125				
090C125	FACTORY	HIGH	FACTORY	
090C125	DEFAULT	DEFAULT	DEFAULT	
110C205				
130D205				

FURNACE SIZE SELECTION CODE

Character on /- (w/ del.)	Blower Model	Indoor Blwr Motor HP Size
0	048B125	1/2
1	078B125	1/2
2	090C125	3/4
3	090C125	3/4
4	090C205	1
5	110C205	3/4
6	110C205	1
7	130D205	1



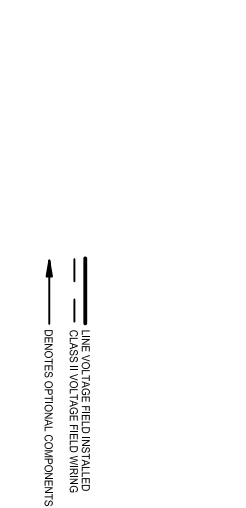
HEATING UNITS-GAS

AGSUS2V048B125	AGSUS2V090C165	AGSUS2V110C205
AGSUS2V078B125	AGSUS2V090C205	AGSUS2V130D205
AGSUS2V090C125	AGSUS2V110C165	

2 HEAT 2 COOL

WARNING-
ELECTRIC SHOCK HAZARD CAN CAUSE INJURY
OR DEATH! UNIT MUST BE GROUNDED IN ACCORDANCE
WITH NATIONAL AND LOCAL CODES.

NOTE:
WIRE IN THIS APPLIANCE IS REPLACED IT
MUST BE REPLACED WITH WIRE OF LIKE SIZE,
RATING, INSULATION THICKNESS, AND TERMINATION



Form No. 537494-01

1214

© 2011