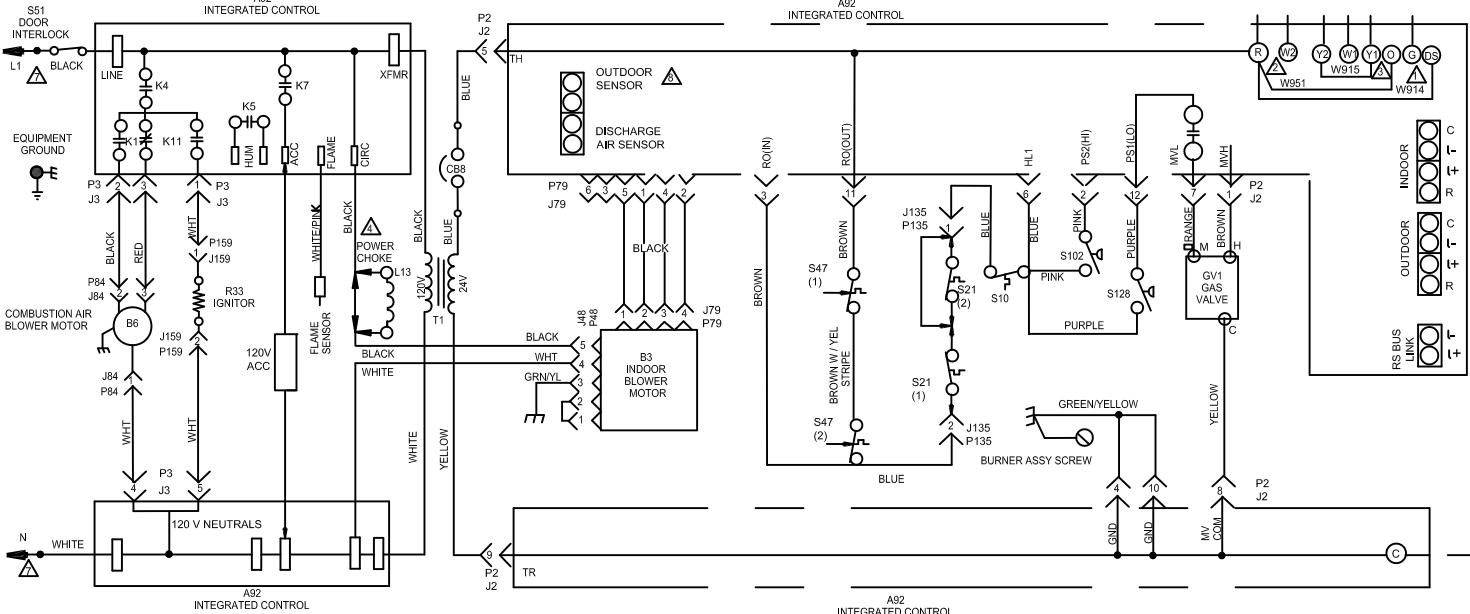
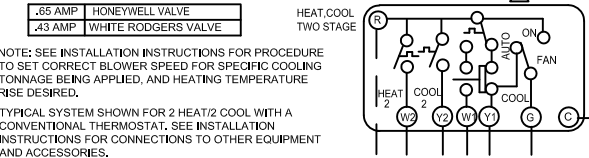
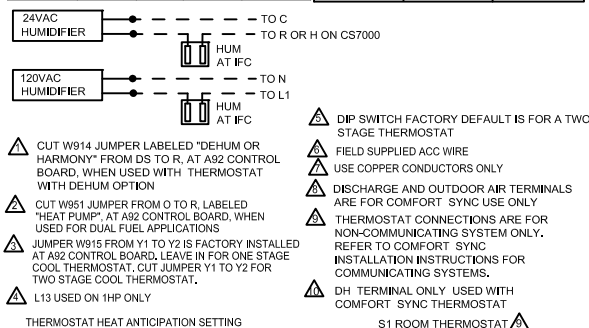


FURNACE MODEL	BLOWER SPEED CHART		SECONDARY LIMITS USED
	HEAT	COOL	
A80US2V	FACTORY	FACTORY	2
070A12(L)	HEAT	COOL	
090B12	HEAT	COOL	
090B16(L)	HEAT	COOL	
090C20	HEAT	COOL	
110C20(L)	HEAT	COOL	
135D20	HEAT	COOL	

FURNACE SIZE SELECTION CODE		
Character on 7-segment LED (w dot ON)	FURNACE MODEL A80US2V	INDOOR BLWR MOTOR HP SIZE
A	070A12(L)	1/2
b	090B12	1/2
C	090B16(L)	1
d	090C20	1
E	110C20(L)	1
F	135D20	1



HEATING UNITS-GAS		
A80US2V070A12	A80US2V090B16	A80US2V110C20
A80US2V070A12L	A80US2V090B16L	A80US2V110C20L
A80US2V090B12	A80US2V090C20	A80US2V135D20
2 HEAT 2 COOL		
		Supersedes
1214		Form No. 537496-01

WARNING- ELECTRIC SHOCK HAZARD, CAN CAUSE INJURY OR DEATH. UNIT MUST BE GROUNDED IN ACCORDANCE WITH NATIONAL AND LOCAL CODES.

NOTE- IF ANY WIRE IN THIS APPLIANCE IS REPLACED, IT MUST BE REPLACED WITH WIRE OF LIKE SIZE, RATING, INSULATION THICKNESS, AND TERMINATION.

— LINE VOLTAGE FIELD INSTALLED  
 — CLASS II VOLTAGE FIELD WIRING  
 — DENOTES OPTIONAL COMPONENTS