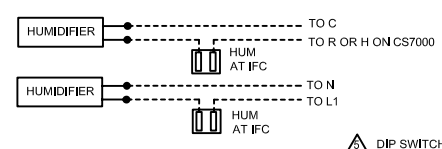


FURNACE MODEL	BLOWER SPEED CHART			SECONDARY LIMITS USED
	HEAT	COOL	ADJUST	
A80DS2V070A12	FACTORY	HIGH	FACTORY	1
A80DS2V090B16	FACTORY	DEFAULT	FACTORY	
A80DS2V110C20	FACTORY	DEFAULT	FACTORY	

FURNACE SIZE SELECTION CODE		
Character on 7-segment LED (w dot ON)	FURNACE MODEL A80DS2V	INDOOR BLWR MOTOR HP SIZE
H	070A12	1/2
J	090B16	1
O	110C20	1



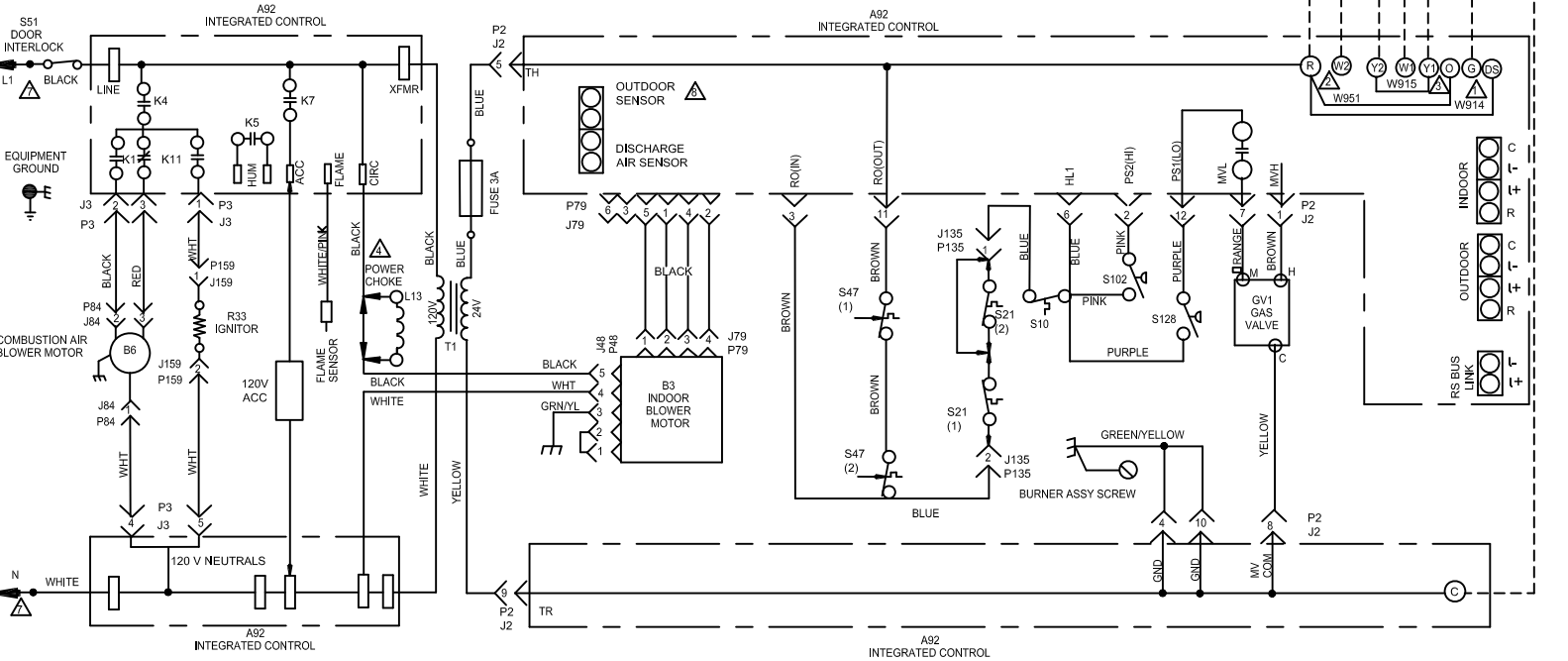
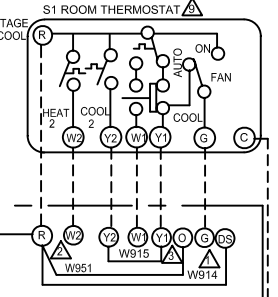
- ⚠ CUT W914 JUMPER LABELED "DEHUM OR HARMONY" FROM DS TO R, AT A92 CONTROL BOARD, WHEN USED WITH THERMOSTAT WITH DEHUM OPTION
- ⚠ CUT W951 JUMPER FROM O TO R, LABELED "HEAT PUMP", AT A92 CONTROL BOARD, WHEN USED FOR DUAL FUEL APPLICATIONS
- ⚠ JUMPER W915 FROM Y1 TO Y2 IS FACTORY INSTALLED AT A92 CONTROL BOARD, LEAVE IN FOR ONE STAGE COOL THERMOSTAT, CUT JUMPER Y1 TO Y2 FOR TWO STAGE COOL THERMOSTAT.
- ⚠ L13 USED ON 1HP ONLY

- ⚠ DIP SWITCH FACTORY DEFAULT IS FOR A TWO STAGE THERMOSTAT
- ⚠ FIELD SUPPLIED ACC WIRE
- ⚠ USE COPPER CONDUCTORS ONLY
- ⚠ DISCHARGE AND OUTDOOR AIR TERMINALS ARE FOR COMFORT SYNC USE ONLY
- ⚠ THERMOSTAT CONNECTIONS ARE FOR NON-COMMUNICATING SYSTEM ONLY. REFER TO COMFORT SYNC INSTALLATION INSTRUCTIONS FOR COMMUNICATING SYSTEMS.
- ⚠ DH TERMINAL ONLY USED WITH COMFORT SYNC THERMOSTAT

THERMOSTAT HEAT ANTICIPATION SETTING	
.65 AMP	HONEYWELL VALVE
.43 AMP	WHITE RODGERS VALVE

NOTE: SEE INSTALLATION INSTRUCTIONS FOR PROCEDURE TO SET CORRECT BLOWER SPEED FOR SPECIFIC COOLING TONNAGE BEING APPLIED, AND HEATING TEMPERATURE RISE REQUIRED.

TYPICAL SYSTEM SHOWN FOR 2 HEAT/2 COOL WITH A CONVENTIONAL THERMOSTAT. SEE INSTALLATION INSTRUCTIONS FOR CONNECTIONS TO OTHER EQUIPMENT AND ACCESSORIES.



HEATING UNITS-GAS	
A80DS2V070A12 A80DS2V090B16 A80DS2V110C20	
2 HEAT 2 COOL	
0312	Supersedes

— LINE VOLTAGE FIELD INSTALLED
 - - - CLASS II VOLTAGE FIELD WIRING
 ← DENOTES OPTIONAL COMPONENTS

03/12 Form No. 537497-01

WARNING- ELECTRIC SHOCK HAZARD, CAN CAUSE INJURY OR DEATH. UNIT MUST BE GROUNDED IN ACCORDANCE WITH NATIONAL AND LOCAL CODES.

NOTE- IF ANY WIRE IN THIS APPLIANCE IS REPLACED IT MUST BE REPLACED WITH WIRE OF LIKE SIZE, RATING, INSULATION THICKNESS, AND TERMINATION