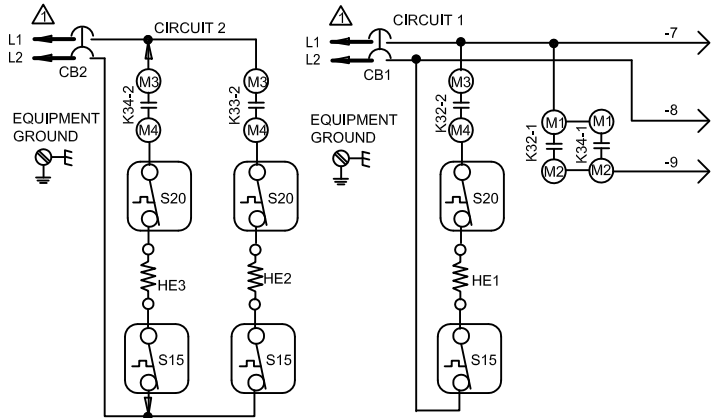


KEY	DESCRIPTION	COMPONENT
CB1	CIRCUIT BREAKER-ELECT HEAT	
CB2	CIRCUIT BREAKER-ELECT HEAT	
HE1	ELEMENT-ELECTRIC HEAT 1	
HE2	ELEMENT-ELECTRIC HEAT 2	
HE3	ELEMENT-ELECTRIC HEAT 3	
K32,-1,2	RELAY-ELECTRIC HEAT	
K33,-1,2	RELAY-ELECTRIC HEAT	
K34,-1,2	RELAY-ELECTRIC HEAT	
P2	PLUG-ELECTRIC HEAT	
S15	SWITCH-LIMIT,PRIMARY,ELECT HEAT	
S20	SWITCH-LIMIT,SECONDARY,ELECT HEAT	

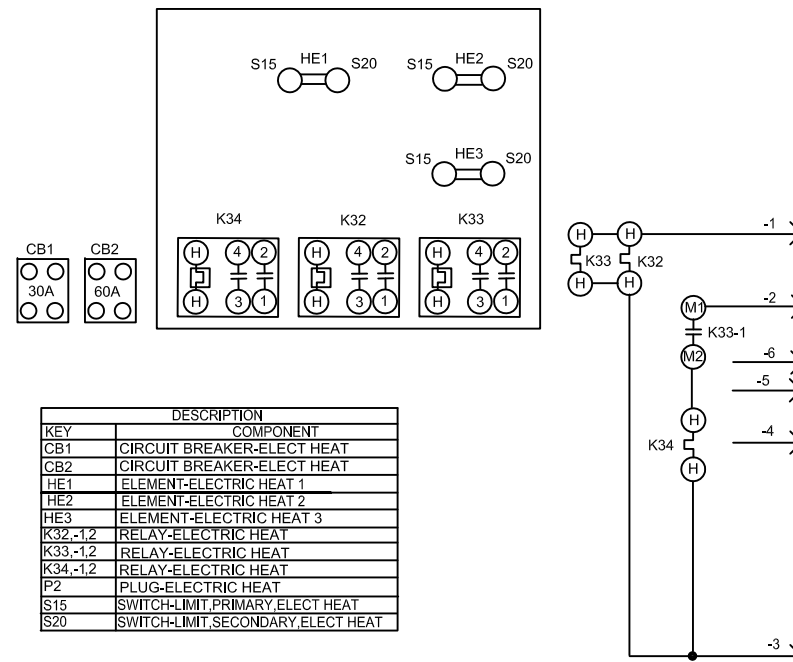
⚠ REFER TO UNIT NAMEPLATE FOR MINIMUM CIRCUIT AMPACITY AND MAXIMUM OVERCURRENT PROTECTION SIZE.

— LINE VOLTAGE FIELD INSTALLED
 — DENOTES OPTIONAL COMPONENTS

NOTE: USE COPPER CONDUCTORS ONLY



HEATING-ELECTRIC	
ECB29-15CB-3P	
0213	Supersedes
0213	Form No. 537500-01

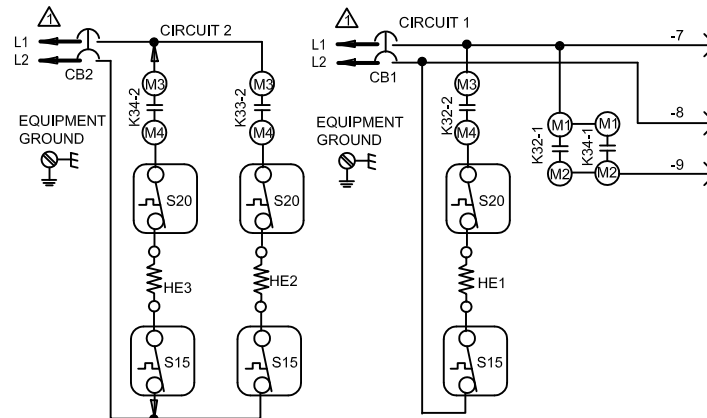


KEY	DESCRIPTION	COMPONENT
CB1	CIRCUIT BREAKER-ELECT HEAT	
CB2	CIRCUIT BREAKER-ELECT HEAT	
HE1	ELEMENT-ELECTRIC HEAT 1	
HE2	ELEMENT-ELECTRIC HEAT 2	
HE3	ELEMENT-ELECTRIC HEAT 3	
K32,-1,2	RELAY-ELECTRIC HEAT	
K33,-1,2	RELAY-ELECTRIC HEAT	
K34,-1,2	RELAY-ELECTRIC HEAT	
P2	PLUG-ELECTRIC HEAT	
S15	SWITCH-LIMIT,PRIMARY,ELECT HEAT	
S20	SWITCH-LIMIT,SECONDARY,ELECT HEAT	

⚠ REFER TO UNIT NAMEPLATE FOR MINIMUM CIRCUIT AMPACITY AND MAXIMUM OVERCURRENT PROTECTION SIZE.

— LINE VOLTAGE FIELD INSTALLED
 — DENOTES OPTIONAL COMPONENTS

NOTE: USE COPPER CONDUCTORS ONLY



HEATING-ELECTRIC	
ECB29-15CB-3P	
0213	Supersedes
0213	Form No. 537500-01