

NOTE- FOR USE WITH COPPER CONDUCTORS ONLY. REFER TO UNIT RATING PLATE FOR MINIMUM CIRCUIT AMPACITY AND MAXIMUM OVERCURRENT PROTECTION SIZE

REFER TO COMPRESSOR IN UNIT FOR ACTUAL TERMINAL ARRANGEMENT

WARNING-ELECTRIC SHOCK HAZARD CAN CAUSE INJURY OR DEATH. UNIT MUST BE GROUNDED IN ACCORDANCE WITH LOCAL AND NATIONAL CODES

CUT ON-BOARD LINK FROM DS TO R FOR DEHUMIDIFICATION ON A92

RT14 SENSOR, OUTDOOR TEMP (OPTIONAL)

CFM PROFILE SELECTION			
MODEL	FAN RPM PROFILE	STAGE 1 RPM	EDA STAGE RPM
024	0	400	400
030	1	450	450
036	4	600	600
042	4	600	600
048	6	675	675
060	6	675	675

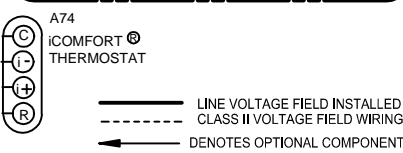
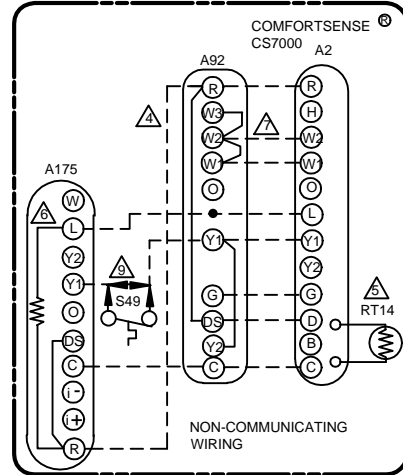
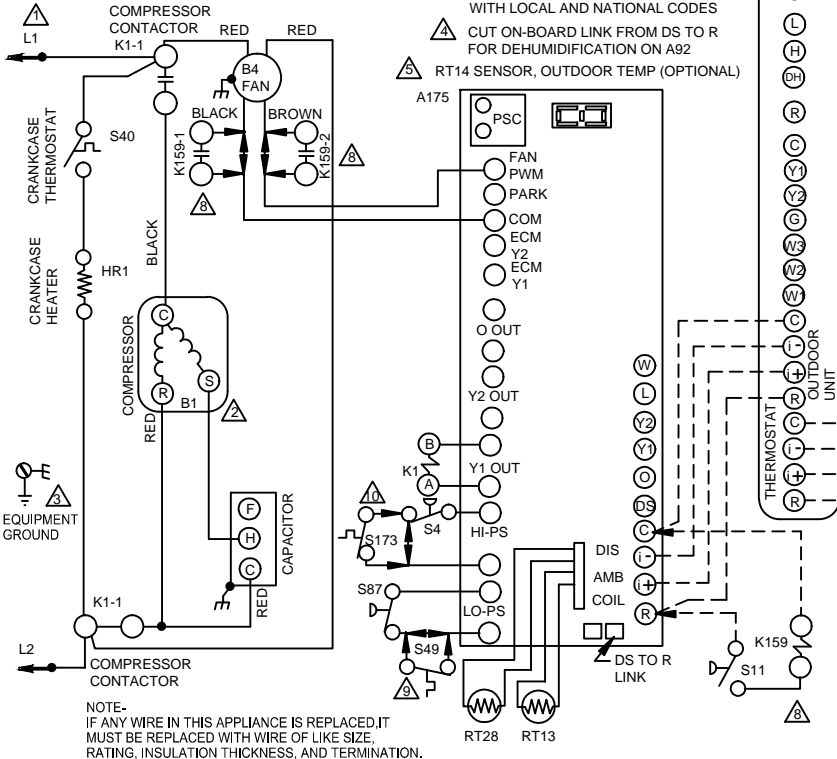
RESISTOR KIT (47W97) IS REQUIRED WHEN USING COMFORTSENSE 7000 (Y0349) WITH A175 OUTDOOR CONTROL. RESISTOR KIT NOT REQUIRED WHEN USING COMFORTSENSE 7000 (Y2081)

METAL JUMPERS ACROSS W1, W2, AND W3 COME FROM FACTORY

OPTIONAL LOW AMBIENT CONTROLS

TYPICAL FREEZESTAT

S173 SWITCH USED ONLY IN UNITS EQUIPPED WITH COMPRESSORS WHICH DO NOT INCLUDE INTERNAL SWITCH



— LINE VOLTAGE FIELD INSTALLED
 - - - CLASS II VOLTAGE FIELD WIRING
 ← DENOTES OPTIONAL COMPONENTS

NOTE- IF ANY WIRE IN THIS APPLIANCE IS REPLACED IT MUST BE REPLACED WITH WIRE OF LIKE SIZE, RATING, INSULATION THICKNESS, AND TERMINATION.

LENNOX **COOLING CONDENSING**

XC17

Supersedes

0112

Form No.
537507-01

© 2011 Litho U.S.A.