

CFM PROFILE SELECTION			
MODEL	FAN RPM PROFILE	STAGE 1 RPM	EDA STAGE RPM
024	0	400	400
030	1	450	450
036	4	600	600
042	4	600	600
048	6	675	675
060	6	675	675

NOTE- FOR USE WITH COPPER CONDUCTORS ONLY. REFER TO UNIT RATING PLATE FOR MINIMUM CIRCUIT AMPACITY AND MAXIMUM OVERCURRENT PROTECTION SIZE

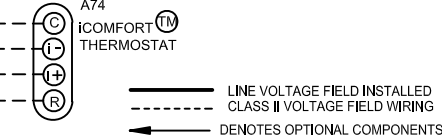
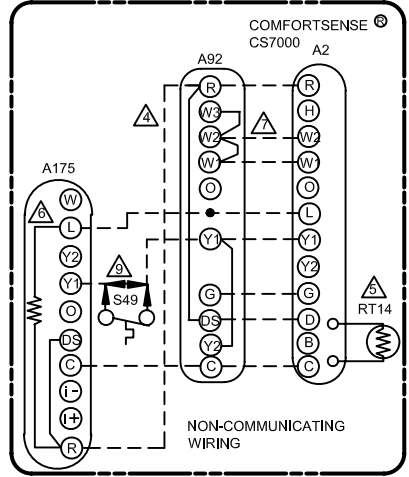
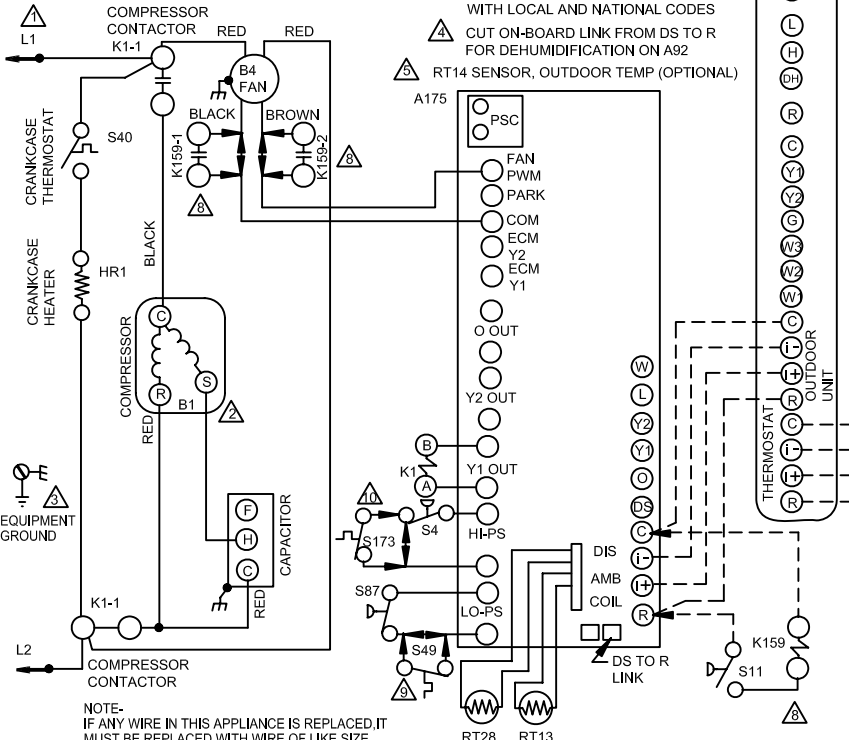
REFER TO COMPRESSOR IN UNIT FOR ACTUAL TERMINAL ARRANGEMENT

WARNING-ELECTRIC SHOCK HAZARD CAN CAUSE INJURY OR DEATH. UNIT MUST BE GROUNDED IN ACCORDANCE WITH LOCAL AND NATIONAL CODES

CUT ON-BOARD LINK FROM DS TO R FOR DEHUMIDIFICATION ON A92

RT14 SENSOR, OUTDOOR TEMP (OPTIONAL)

- ⚠ RESISTOR KIT (47W97) IS REQUIRED WHEN USING COMFORTSENSE 7000 (Y0349) WITH A175 OUTDOOR CONTROL. RESISTOR KIT NOT REQUIRED WHEN USING COMFORTSENSE 7000 (Y2081)
- ⚠ METAL JUMPERS ACROSS W1, W2, AND W3 COME FROM FACTORY
- ⚠ OPTIONAL LOW AMBIENT CONTROLS
- ⚠ TYPICAL FREEZESTAT
- ⚠ S173 SWITCH USED ONLY IN UNITS EQUIPPED WITH COMPRESSORS WHICH DO NOT INCLUDE INTERNAL SWITCH



NOTE- IF ANY WIRE IN THIS APPLIANCE IS REPLACED IT MUST BE REPLACED WITH WIRE OF LIKE SIZE, RATING, INSULATION THICKNESS, AND TERMINATION.

**LENNOX COOLING CONDENSING**

**XC17**

Supersedes  
0412

04/12

**Form No.**  
**537507-01**

© 2011 Litho U.S.A.