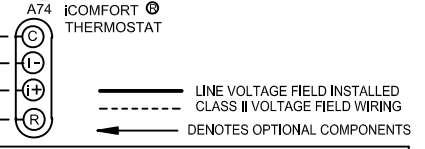
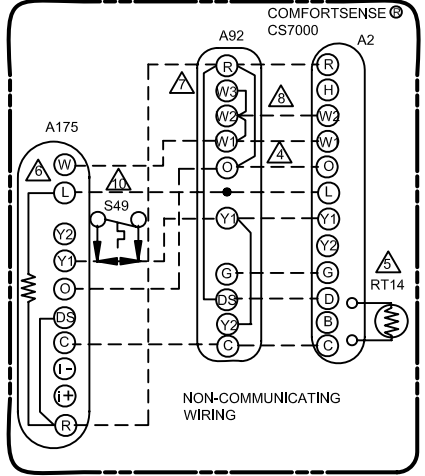
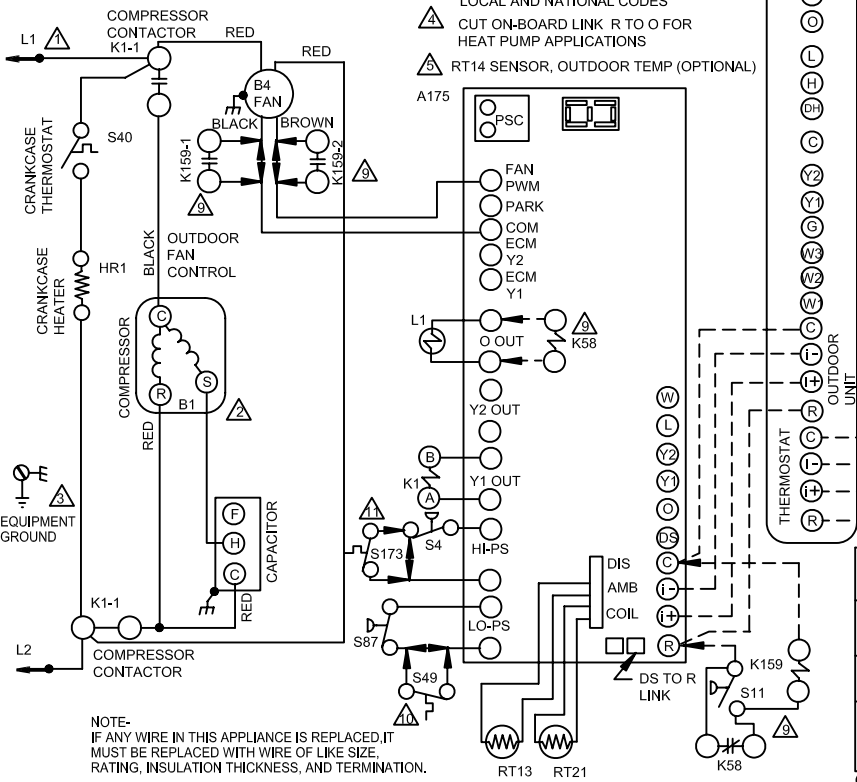


CFM PROFILE SELECTION			
MODEL	FAN RPM PROFILE	STAGE 1 RPM	EDA STAGE RPM
024	0	400	400
030	1	450	450
036	4	600	600
042	4	600	600
048	6	675	675
060	6	675	675

- ⚠️ RESISTOR KIT (47W97) IS REQUIRED WHEN USING COMFORTSENSE 7000 (Y0349) WITH A175 OUTDOOR CONTROL. RESISTOR KIT NOT REQUIRED WHEN USING COMFORTSENSE 7000 (Y2081)
- ⚠️ CUT ON-BOARD LINK FROM DS TO R FOR DEHUMIDIFICATION ON A92
- ⚠️ METAL JUMPERS ACROSS W1, W2, AND W3 COME FROM FACTORY
- ⚠️ OPTIONAL LOW AMBIENT CONTROLS
- ⚠️ TYPICAL FREEZE STAT
- ⚠️ S173 SWITCH USED ONLY IN UNITS EQUIPPED WITH COMPRESSORS WHICH DO NOT INCLUDE INTERNAL SWITCH

- ⚠️ NOTE-FOR USE WITH COPPER CONDUCTORS ONLY. REFER TO UNIT RATING PLATE FOR MINIMUM CIRCUIT AMPACITY AND MAXIMUM OVERCURRENT PROTECTION SIZE
- ⚠️ REFER TO COMPRESSOR IN UNIT FOR ACTUAL TERMINAL ARRANGEMENT
- ⚠️ WARNING-ELECTRIC SHOCK HAZARD CAN CAUSE INJURY OR DEATH. UNIT MUST BE GROUNDED IN ACCORDANCE WITH LOCAL AND NATIONAL CODES
- ⚠️ CUT ON-BOARD LINK R TO O FOR HEAT PUMP APPLICATIONS
- ⚠️ RT14 SENSOR, OUTDOOR TEMP (OPTIONAL)



LENNOX HEAT PUMP OUTDOOR UNITS

XP17

1211 Supersedes

New Form No. 537508-01

NOTE- IF ANY WIRE IN THIS APPLIANCE IS REPLACED, IT MUST BE REPLACED WITH WIRE OF LIKE SIZE, RATING, INSULATION THICKNESS, AND TERMINATION.