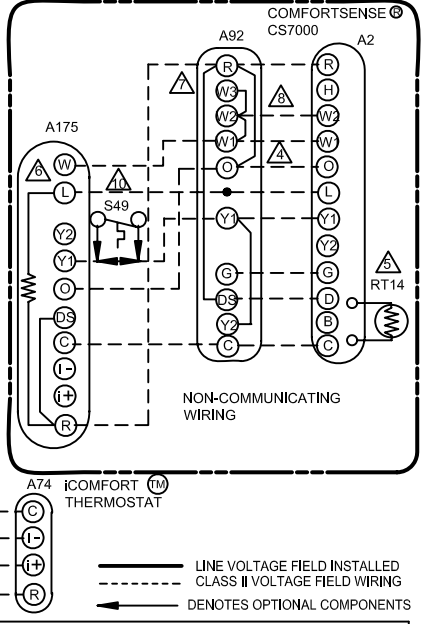
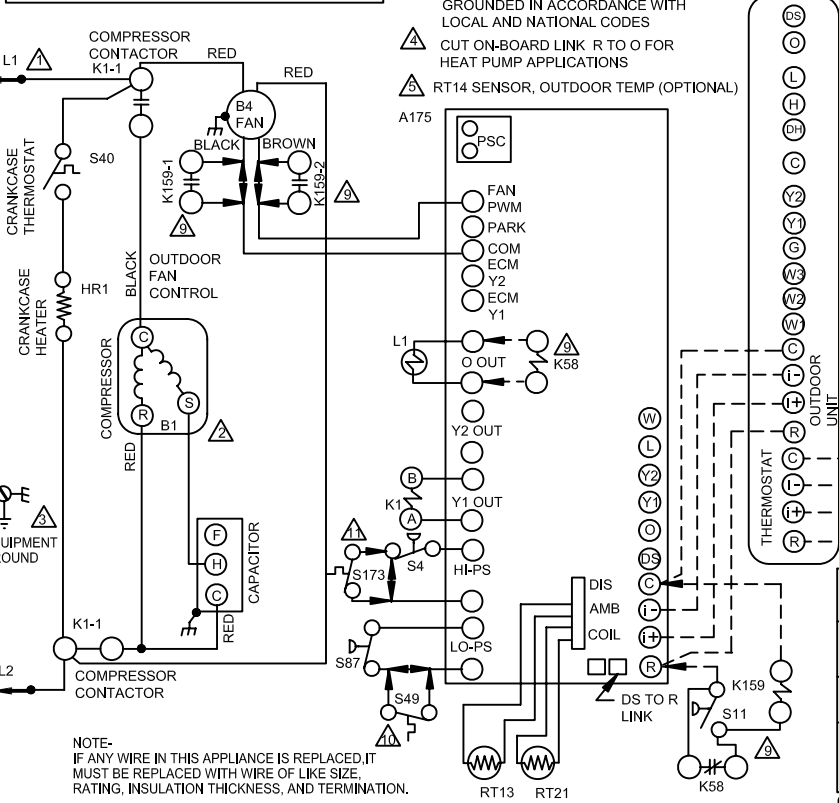


CFM PROFILE SELECTION			
MODEL	FAN RPM PROFILE	STAGE 1 RPM	EDA STAGE RPM
024	0	400	400
030	1	450	450
036	4	600	600
042	4	600	600
048	6	675	675
060	6	675	675

- ⚠️ RESISTOR KIT (47W97) IS REQUIRED WHEN USING COMFORTSENSE 7000 (Y0349) WITH A175 OUTDOOR CONTROL. RESISTOR KIT NOT REQUIRED WHEN USING COMFORTSENSE 7000 (Y2081)
- ⚠️ CUT ON-BOARD LINK FROM DS TO R FOR DEHUMIDIFICATION ON A92
- ⚠️ METAL JUMPERS ACROSS W1, W2, AND W3 COME FROM FACTORY
- ⚠️ OPTIONAL LOW AMBIENT CONTROLS
- ⚠️ TYPICAL FREEZE STAT
- ⚠️ S173 SWITCH USED ONLY IN UNITS EQUIPPED WITH COMPRESSORS WHICH DO NOT INCLUDE INTERNAL SWITCH



LENNOX HEAT PUMP OUTDOOR UNITS

XP17

0412 Supersedes

Form No. 537508-01

04/12

© 2011 L1ho U.S.A.

NOTE- IF ANY WIRE IN THIS APPLIANCE IS REPLACED, IT MUST BE REPLACED WITH WIRE OF LIKE SIZE, RATING, INSULATION THICKNESS, AND TERMINATION.