

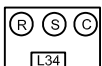
RT13  
AMBIENT  
SENSOR



RT28  
DISCHARGE  
SENSOR



B1  
COMPRESSOR



S4  
HIGH  
PRESSURE  
SWITCH



S87  
LOW  
PRESSURE  
SWITCH



NOTE-  
FOR USE WITH COPPER CONDUCTORS  
ONLY. REFER TO UNIT RATING PLATE  
FOR MINIMUM CIRCUIT AMPACITY AND  
MAXIMUM OVERCURRENT PROTECTION SIZE

REFER TO COMPRESSOR IN UNIT FOR  
ACTUAL TERMINAL ARRANGEMENT

WARNING-ELECTRIC SHOCK HAZARD  
CAN CAUSE INJURY OR DEATH. UNIT  
MUST BE GROUNDED IN ACCORDANCE  
WITH NATIONAL AND LOCAL CODES

CUT ON-BOARD LINK Y1 TO Y2 FOR 2 STAGE  
COMPRESSOR AND 2 SPEED FAN OPERATION

RT14 SENSOR, OUTDOOR TEMP (OPTIONAL)

CFM PROFILE SELECTION				
MODEL	FAN RPM PROFILE	STAGE 1 RPM	STAGE 2 RPM	EDA STAGE RPM
024	11	475	550	200
036	12	525	600	225
048	14	600	675	225
060	14	600	675	225

L34 SOLENOID IS LOCATED IN COMPRESSOR. COIL IS  
24VDC. DO NOT CONNECT 24VAC TO COIL TERMINALS

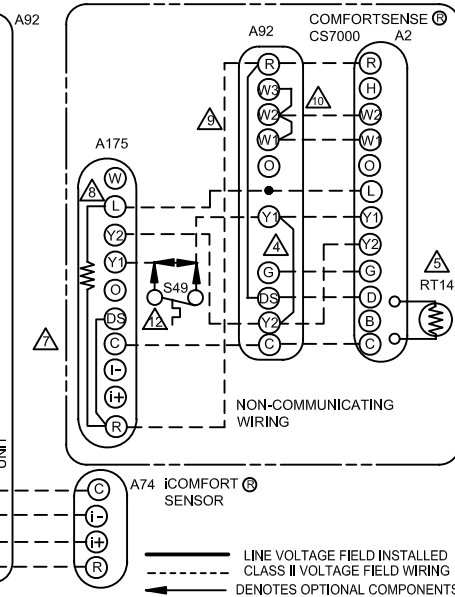
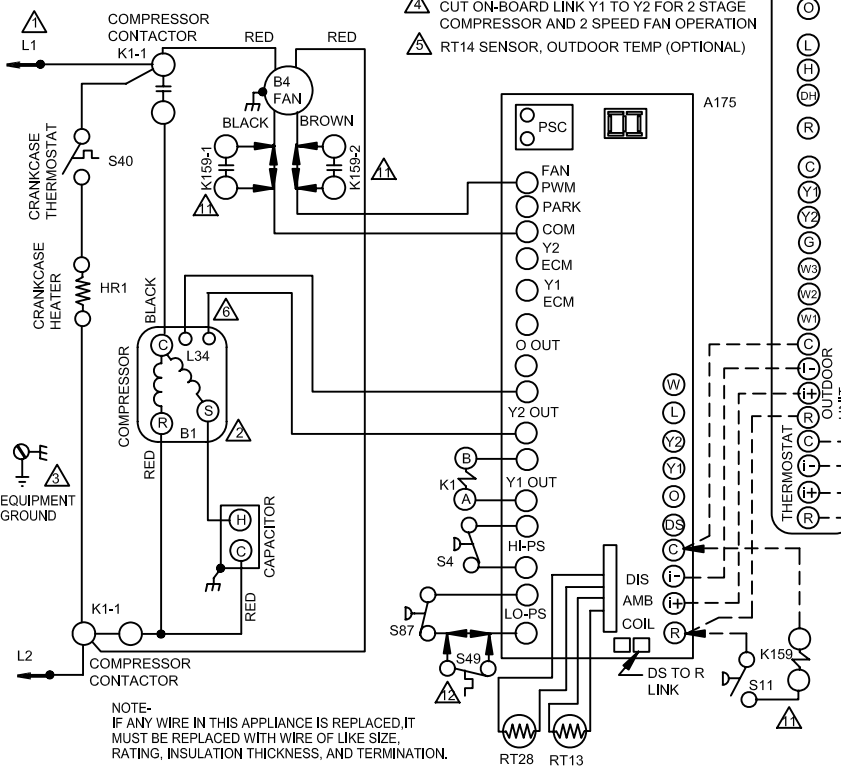
FOR HUMIDITROL OPERATION (EDA), CONNECT FIELD PROVIDED  
WIRE FROM DS ON A92 TO DS ON A175. CUT JUMPER FROM DS  
TO R ON A175.

RESISTOR KIT (47W97) IS REQUIRED WHEN USING COMFORTSENSE  
7000 (Y0349) WITH A175 OUTDOOR CONTROL. RESISTOR KIT NOT  
REQUIRED WHEN USING COMFORTSENSE 7000 (Y2081)

CUT ON-BOARD LINK FROM DS TO R FOR DEHUMIDIFICATION ON A92  
METAL JUMPERS ACROSS W1, W2, AND W3 COME FROM FACTORY.  
REMOVE JUMPER FROM W1 TO W2 FOR TWO STAGE ELECTRIC  
HEAT, AIR HANDLERS ONLY

OPTIONAL LOW AMBIENT CONTROLS

TYPICAL FREEZESTAT



— LINE VOLTAGE FIELD INSTALLED  
- - - CLASS II VOLTAGE FIELD WIRING  
← DENOTES OPTIONAL COMPONENTS

LENNOX COOLING CONDENSING	
XC21	
1011	Supersedes
New Form No. 537509-01	

NOTE-  
IF ANY WIRE IN THIS APPLIANCE IS REPLACED, IT  
MUST BE REPLACED WITH WIRE OF LIKE SIZE,  
RATING, INSULATION THICKNESS, AND TERMINATION.