

NOTE- FOR USE WITH COPPER CONDUCTORS ONLY. REFER TO UNIT RATING PLATE FOR MINIMUM CIRCUIT AMPACITY AND MAXIMUM OVERCURRENT PROTECTION SIZE

2 REFER TO COMPRESSOR IN UNIT FOR ACTUAL TERMINAL ARRANGEMENT
 3 WARNING-ELECTRIC SHOCK HAZARD CAN CAUSE INJURY OR DEATH. UNIT MUST BE GROUNDED IN ACCORDANCE WITH NATIONAL AND LOCAL CODES

4 CUT ON-BOARD LINK Y1 TO Y2 FOR 2 STAGE COMPRESSOR AND 2 SPEED FAN OPERATION
 5 RT14 SENSOR, OUTDOOR TEMP (OPTIONAL)

CFM PROFILE SELECTION				
MODEL	FAN RPM PROFILE	STAGE 1 RPM	STAGE 2 RPM	EDA STAGE RPM
024	11	475	550	200
036	12	525	600	225
048	14	600	675	225
060	14	600	675	225

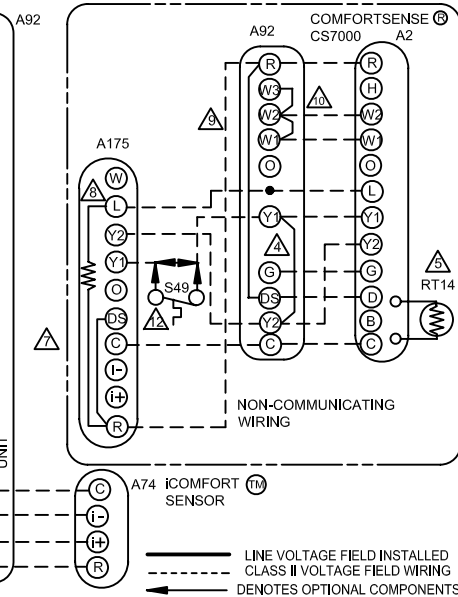
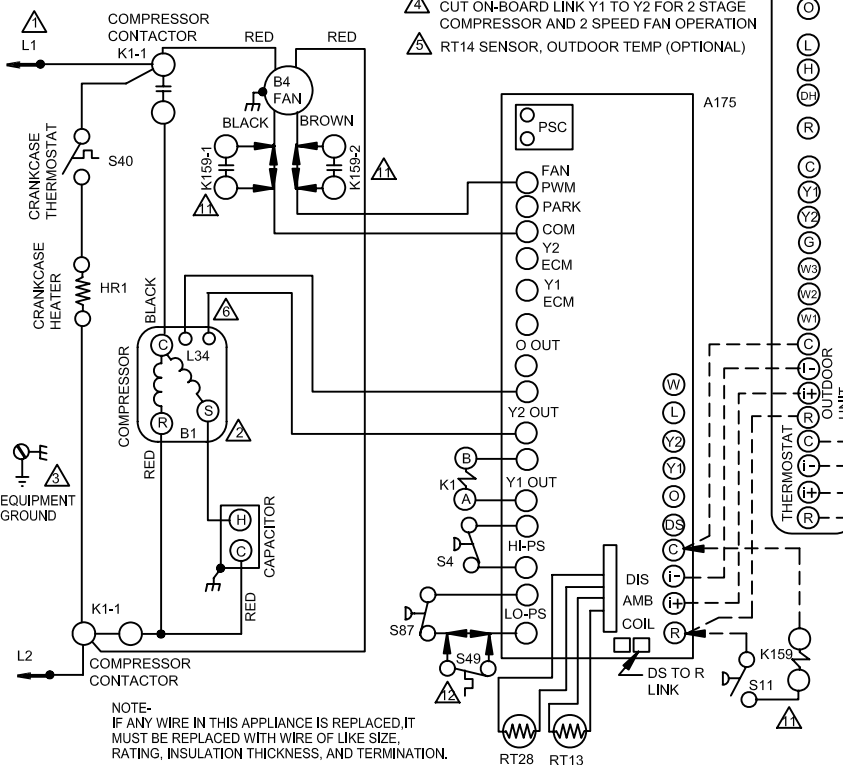
L34 SOLENOID IS LOCATED IN COMPRESSOR. COIL IS 24VDC. DO NOT CONNECT 24VAC TO COIL TERMINALS

FOR HUMIDITROL OPERATION (EDA), CONNECT FIELD PROVIDED WIRE FROM DS ON A92 TO DS ON A175. CUT JUMPER FROM DS TO R ON A175.

RESISTOR KIT (47W97) IS REQUIRED WHEN USING COMFORTSENSE 7000 (Y0349) WITH A175 OUTDOOR CONTROL. RESISTOR KIT NOT REQUIRED WHEN USING COMFORTSENSE 7000 (Y2081)

CUT ON-BOARD LINK FROM DS TO R FOR DEHUMIDIFICATION ON A92 METAL JUMPERS ACROSS W1, W2, AND W3 COME FROM FACTORY. REMOVE JUMPER FROM W1 TO W2 FOR TWO STAGE ELECTRIC HEAT, AIR HANDLERS ONLY

OPTIONAL LOW AMBIENT CONTROLS
 TYPICAL FREEZESTAT



— LINE VOLTAGE FIELD INSTALLED
 - - - CLASS II VOLTAGE FIELD WIRING
 ← DENOTES OPTIONAL COMPONENTS

LENNOX		COOLING CONDENSING	
XC21			
0412		Supersedes	
04/12		Form No. 537509-01	

NOTE- IF ANY WIRE IN THIS APPLIANCE IS REPLACED, IT MUST BE REPLACED WITH WIRE OF LIKE SIZE, RATING, INSULATION THICKNESS, AND TERMINATION.