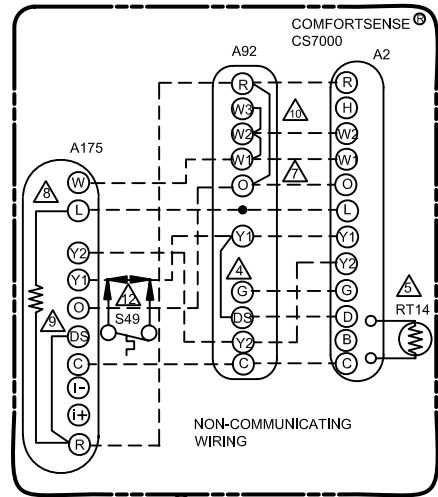
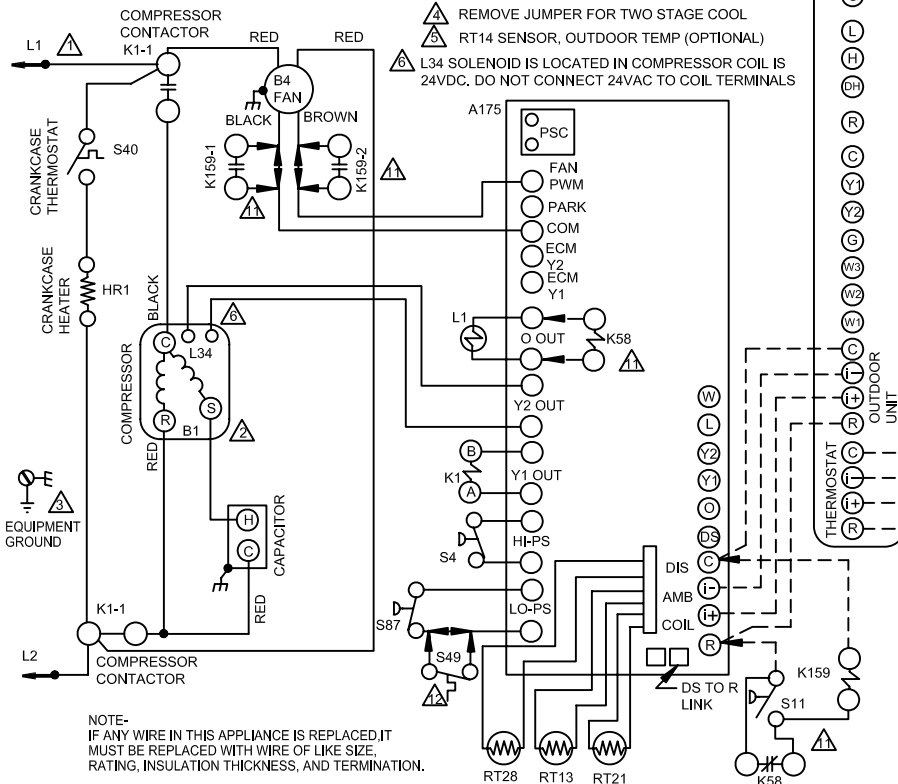


NOTE:
FOR USE WITH COPPER CONDUCTORS ONLY. REFER TO UNIT RATING PLATE FOR MINIMUM CIRCUIT AMPACITY AND MAXIMUM OVERCURRENT PROTECTION SIZE
REFER TO COMPRESSOR IN UNIT FOR ACTUAL TERMINAL ARRANGEMENT

WARNING:
ELECTRIC SHOCK HAZARD CAN CAUSE INJURY OR DEATH. UNIT MUST BE GROUNDED IN ACCORDANCE WITH NATIONAL AND LOCAL CODES.
REMOVE JUMPER FOR TWO STAGE COOL
RT14 SENSOR, OUTDOOR TEMP (OPTIONAL)
L34 SOLENOID IS LOCATED IN COMPRESSOR COIL IS 24VDC. DO NOT CONNECT 24VAC TO COIL TERMINALS

MODELS	CFM PROFILE SELECTION			
	FAN PROFILE	STAGE 1 RPM	STAGE 2 RPM	EDA STAGE RPM
024	10	425	500	200
036	12	525	600	225
048	14	600	675	225
060	15	625	700	225

- ⚠ CUT ON-BOARD LINK R TO O FOR HEAT PUMP APPLICATIONS
- ⚠ RESISTOR KIT (47W97) IS REQUIRED WHEN USING COMFORTSENSE 7000 (Y0349) WITH A175 OUTDOOR CONTROL. RESISTOR KIT NOT REQUIRED WHEN USING COMFORTSENSE 7000 (Y2081)
- ⚠ FOR HUMIDITROL OPERATION (EDA), CONNECT FIELD PROVIDED WIRE FROM DS ON A92 TO DS ON A175. CUT JUMPER FROM DS TO R ON A175.
- ⚠ METAL JUMPERS ACROSS W1, W2, AND W3 COME FROM FACTORY. REMOVE JUMPER FROM W1 TO W2 FOR TWO STAGE ELECTRIC HEAT, AIR HANDLERS ONLY
- ⚠ OPTIONAL LOW AMBIENT CONTROLS
- ⚠ TYPICAL FREEZE STAT



LENNOX HEAT PUMP OUTDOOR UNITS

XP21

0412 Supersedes

Form No. 537510-01

04/12 Litho U.S.A.

NOTE:
IF ANY WIRE IN THIS APPLIANCE IS REPLACED, IT MUST BE REPLACED WITH WIRE OF LIKE SIZE, RATING, INSULATION THICKNESS, AND TERMINATION.