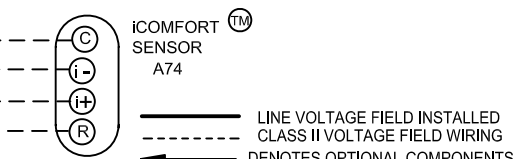
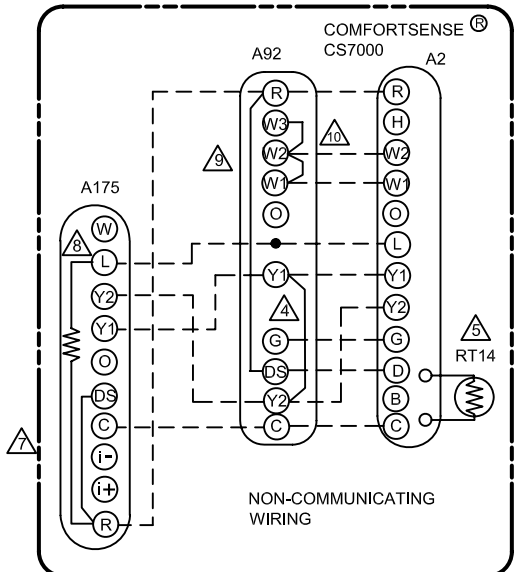
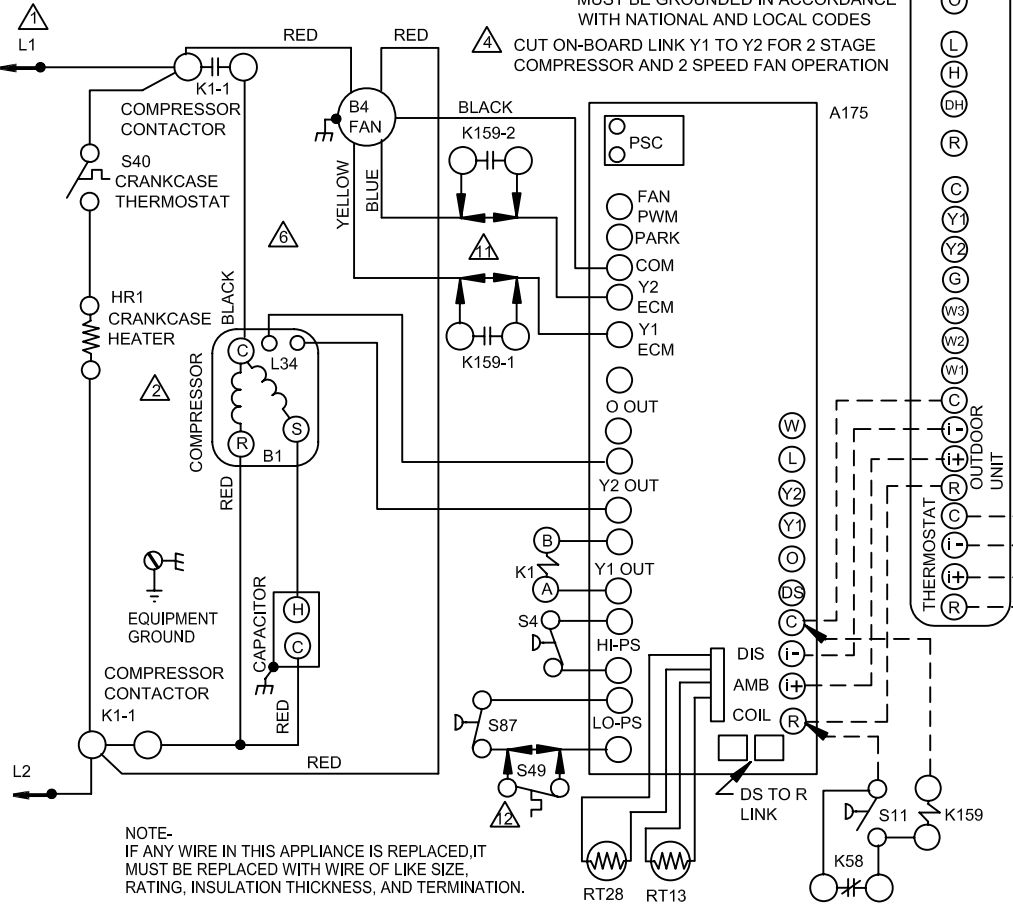


- NOTE- FOR USE WITH COPPER CONDUCTORS ONLY. REFER TO UNIT RATING PLATE FOR MINIMUM CIRCUIT AMPACITY AND MAXIMUM OVERCURRENT PROTECTION SIZE
- REFER TO COMPRESSOR IN UNIT FOR ACTUAL TERMINAL ARRANGEMENT
- WARNING-ELECTRIC SHOCK HAZARD CAN CAUSE INJURY OR DEATH. UNIT MUST BE GROUNDED IN ACCORDANCE WITH NATIONAL AND LOCAL CODES

- RT14 SENSOR, OUTDOOR TEMP (OPTIONAL)
- L34 SOLENOID IS LOCATED IN COMPRESSOR. COIL IS 24VDC. DO NOT CONNECT 24VAC TO COIL TERMINALS
- FOR HUMIDITROL OPERATION (EDA), CONNECT FIELD PROVIDED WIRE FROM DS ON A92 TO DS ON A175. CUT JUMPER FROM DS TO R ON A175.
- RESISTOR KIT (47W97) IS REQUIRED WHEN USING COMFORTSENSE 7000 (Y0349) WITH A175 OUTDOOR CONTROL. RESISTOR KIT NOT REQUIRED WHEN USING COMFORTSENSE 7000 (Y2081)
- IN NON-COMMUNICATING WIRING, CUT ON-BOARD LINK ON A92 CONTROL FROM DS TO R FOR BASIC, PRECISION AND HUMIDITROL APPLICATIONS
- ON AIR HANDLER CONTROL A92, FOR TWO STAGE ELECTRIC HEAT, ONLY REMOVE THE JUMPER BETWEEN W1 AND W2
- OPTIONAL LOW AMBIENT CONTROLS
- TYPICAL FREEZESTAT



LENNOX		COOLING CONDENSING	
XC21-04			
		Supersedes	
		0412	
		Form No. 537513-01	

NOTE- IF ANY WIRE IN THIS APPLIANCE IS REPLACED, IT MUST BE REPLACED WITH WIRE OF LIKE SIZE, RATING, INSULATION THICKNESS, AND TERMINATION.