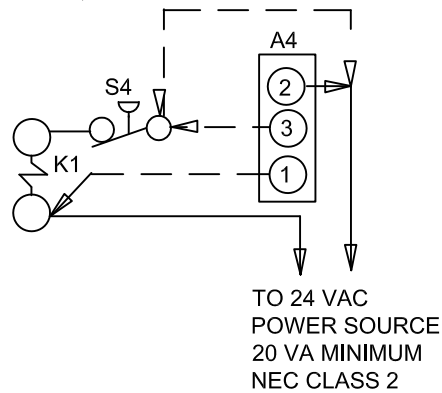


TO 24 VAC POWER SOURCE
20 VA MINIMUM
NEC CLASS 2

NOTE-
S11 & K159 ARE OPTIONAL LOW AMBIENT CONTROLS

⚠ NOTE-
FOR USE WITH COPPER CONDUCTORS ONLY. REFER TO UNIT RATING PLATE FOR MINIMUM CIRCUIT AMPACITY AND MAXIMUM OVERCURRENT PROTECTION SIZE




TO 24 VAC POWER SOURCE
20 VA MINIMUM
NEC CLASS 2

DESCRIPTION	
KEY	COMPONENT
A4	CONTROL-TIMED OFF
B1	COMPRESSOR
B4	MOTOR-OUTDOOR FAN
C12	CAPACITOR-DUAL
HR1	HEATER-COMPRESSOR
K1,-1	CONTACTOR-COMPRESSOR
S4	SWITCH-HIGH PRESSURE
S24	SWITCH-LOSS OF CHARGE
S40	TERMOSTAT-CRANKCASE
S89	SWITCH-THERMOSTAT, DISCHARGE TEMP
S87	SWITCH-LOW PRESS. COMP 1

NOTE-
IF ANY WIRE IN THIS APPLIANCE IS REPLACED, IT MUST BE REPLACED WITH WIRE OF LIKE SIZE, RATING, INSULATION THICKNESS, AND TERMINATION.

— LINE VOLTAGE FIELD INSTALLED
- - - CLASS II VOLTAGE FIELD WIRING
← DENOTES OPTIONAL COMPONENTS

LOW AMBIENT KIT		Supersedes
14ACX-059	1012	
		Form No. 537534-01