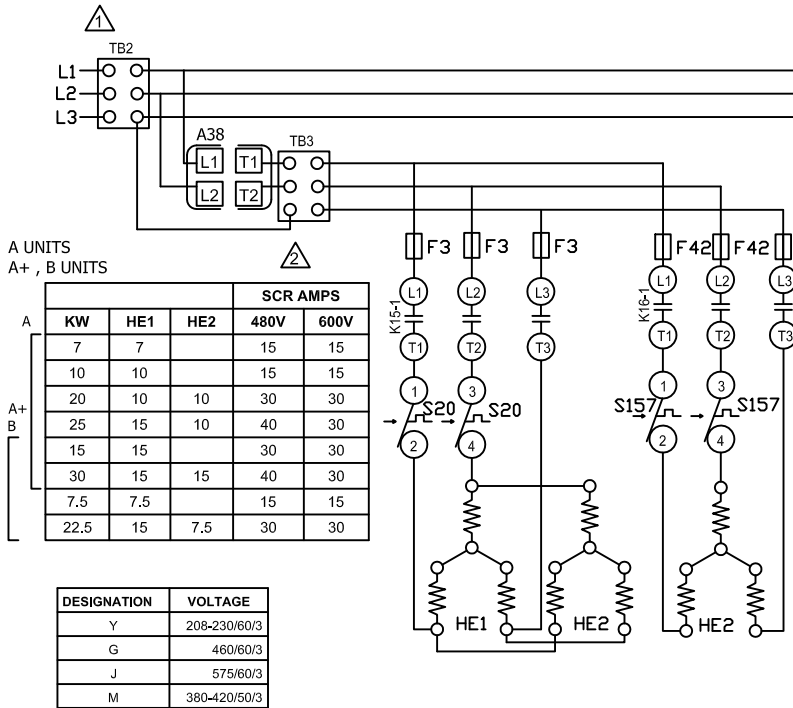


KEY	DESCRIPTION
A38	CONTROL, SCR ELECTRIC HEAT
A55	PANEL, MAIN
A104	THERMOSTAT, SUPPLY AIR
F3	FUSE, ELECTRIC HEAT 1
F4	FUSE, UNIT
F42	FUSE, ELECTRIC HEAT 2

HE1	ELEMENT, ELECTRIC HEAT 1
HE2	ELEMENT, ELECTRIC HEAT 2
J7	JACK, ELECTRIC HEAT SUB BASE KIT
J265C	JACK, CONTACTOR RELAY
J266A	JACK, HEATING CONTROL STG 1
J271A,B	JACK, HEATING SENSORS STG 1
J297	JACK, THERMOSTAT INTERFACE
K15,-1	CONTACTOR, ELECTRIC HEAT 1
K16,-1	CONTACTOR, ELECTRIC HEAT 2

K161,-1	RELAY, SCR INTERRUPT
K162,-1	RELAY, SCR HIGH OUTPUT
K211-1	RELAY, LOCKOUT
P7	PLUG, ELECTRIC HEAT SUB BASE KIT
P265	PLUG, CONTACTOR RELAY
P266	PLUG, HEATING CONTROL
P271	PLUG, HEATING SENSORS STG 1
P297	PLUG, THERMOSTAT INTERFACE
RT20	SENSOR, DISCHARGE SCR
S15	SWITCH, LIMIT PRIMARY ELECTRIC HEAT
S19	THERMOSTAT, ELECTRIC HEAT LIMIT
S20	SWITCH, LIMIT SECONDARY ELEC. HEAT 1
S26	THERMOSTAT, AMBIENT
S157	SWITCH, LIMIT SECONDARY ELEC. HEAT 2
TB2	TERMINAL STRIP, UNIT
TB3	TERMINAL STRIP, ELECTRIC HEAT
TB13	TERMINAL STRIP, POWER DISTRIBUTION
TB36	TERMINAL STRIP, SCR
T3	TRANSFORMER, COMB AIR BWR 1



- ⚠ TB2, S48 OR CB10 MAY BE USED
- ⚠ TB3 IS USED ON SOME UNITS
- ⚠ K211 USED WITH HUMIDITROL CONTROL
- ← DENOTES OPTIONAL COMPONENTS

02/12	WIRING DIAGRAM	02/12
HEATING - SCR		
ELECTRIC HEAT SCR CONTROL FOR EMERGENCE™ E1EH, EHA - 7, 7.5, 10, 15, 20, 22.5, 25, 30 -1,2 -G,J,M		
SECTION A		REV 0
Supersedes	New Form No. 537535-01	