

BLOWER SPEED CHART						
UNIT	COOL	HEAT	PARK1	PARK2	MOTOR SPEEDS	SECONDARY LIMITS USED
070P36A	BLACK	YELLOW	RED	---	3	2
090P48B	BLACK	BROWN	YELLOW	RED	4	2
110P36C	BROWN	BLACK	YELLOW	RED	4	2
110P60C	BLACK	YELLOW	RED	---	3	2
135P60D	BLACK	YELLOW	RED	---	3	2

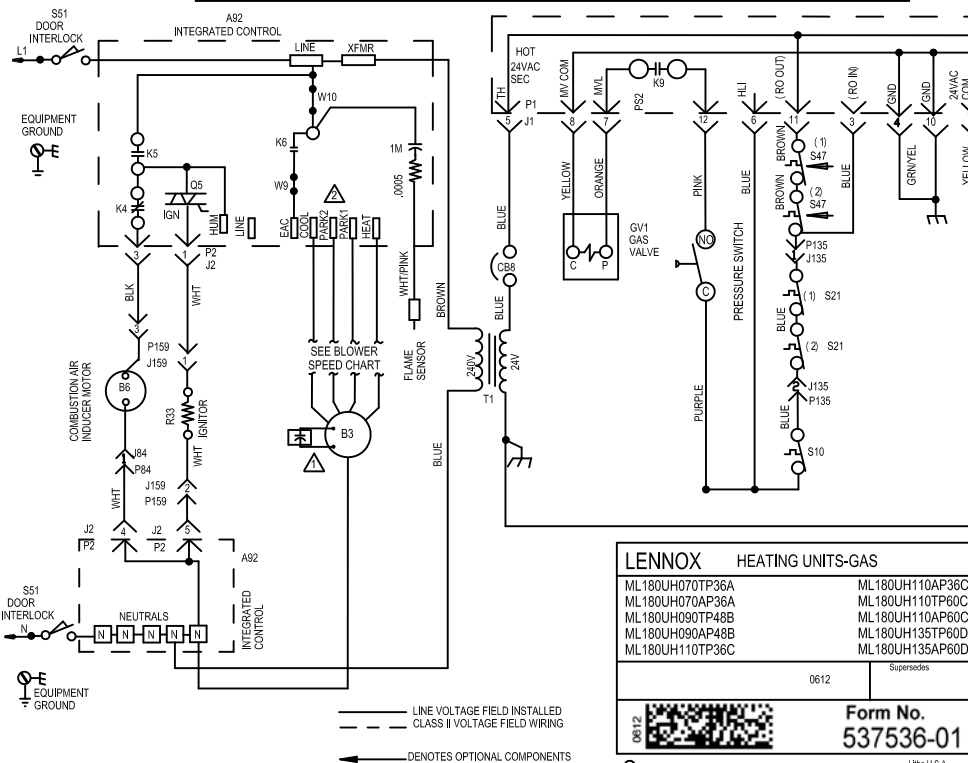
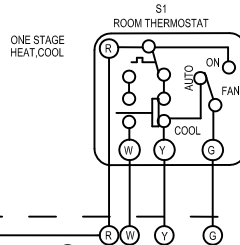
HI ← BLOWER SPEED SELECTION → LO

SPEED	BLACK	YELLOW	RED	3
TAPS	BLACK	BROWN	YELLOW	RED

NOTE: SEE INSTALLATION INSTRUCTIONS FOR PROCEDURE TO SET CORRECT BLOWER SPEED FOR SPECIFIC COOLING TONNAGE BEING APPLIED, AND HEATING TEMPERATURE RISE DESIRED.

JACKPLUG CHART	
J.P6	JACK-PLUG-OUTPUT
J.P1	JACK-PLUG-BURNER CONTROL
J.P84	JACK-PLUG-COMB. AIR INDUCER
J.P135	JACK-PLUG-SECONDARY LIMIT
J.P2	JACK-PLUG-INDUCER/IGNITOR
J.P159	JACK-PLUG-IGNITOR

THERMOSTAT HEAT ANTICIPATION SETTING
 .65 AMP HONEYWELL VALVE



- NOTE- IF ANY WIRE IN THIS APPLIANCE IS REPLACED, IT MUST BE REPLACED WITH WIRE OF LIKE SIZE, RATING, INSULATION THICKNESS AND TERMINATION.
- IMPORTANT- TO PREVENT MOTOR BURNOUT, NEVER CONNECT MORE THAN ONE MOTOR LEAD TO ANY ONE CONNECTION.
 - PARK TERMINALS ARE UNPOWERED TERMINALS. ALL UNUSED MOTOR LEADS MUST BE WIRED TO A PARK TERMINAL.
 - USE COPPER CONDUCTORS ONLY.
 - 090P48B, DO NOT USE RED (LOW SPEED) FOR HEATING. LEAVE ON PARK
 - 110P36C, DO NOT USE YELLOW (MEDIUM LOW SPEED) & RED (LOW SPEED) FOR HEATING. LEAVE ON PARK
 - FIELD SUPPLIED ACC. WIRE.
- WARNING- ELECTRIC SHOCK HAZARD, CAN CAUSE INJURY OR DEATH. UNIT MUST BE GROUNDED IN ACCORDANCE WITH NATIONAL AND LOCAL CODES.

LENNOX HEATING UNITS-GAS

ML180UH070TP36A	ML180UH110AP36C
ML180UH070AP36A	ML180UH110TP60C
ML180UH090TP48B	ML180UH110AP60C
ML180UH090AP48B	ML180UH135TP60D
ML180UH110TP36C	ML180UH135AP60D

0612 Supersedes

Form No. 537536-01