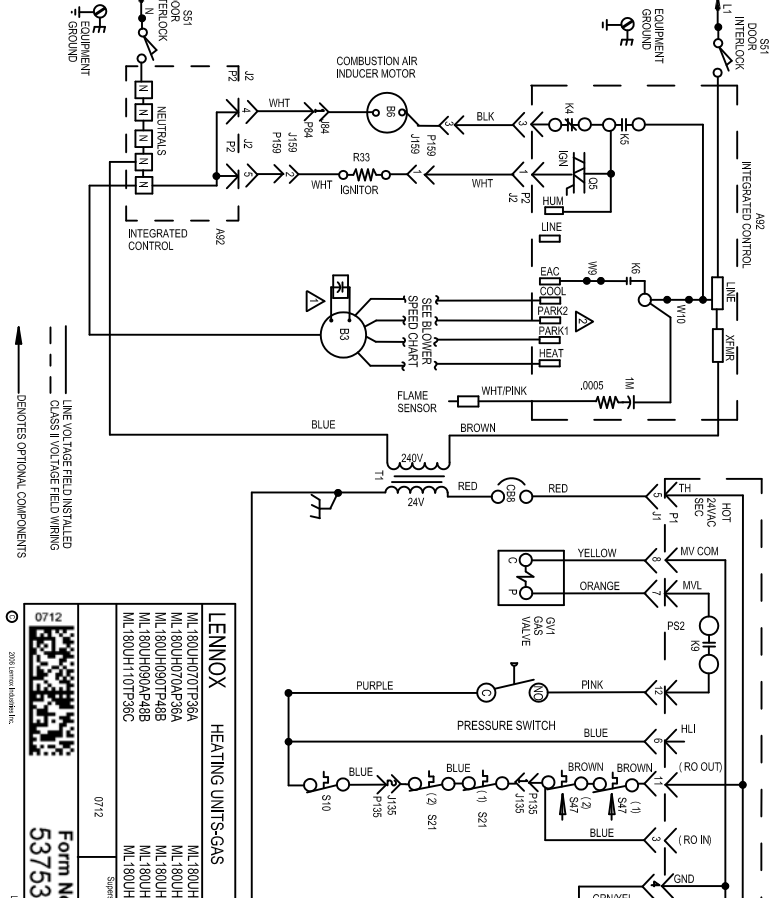
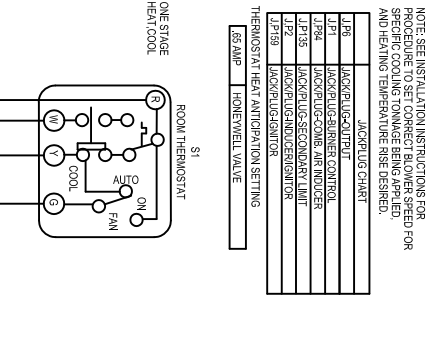
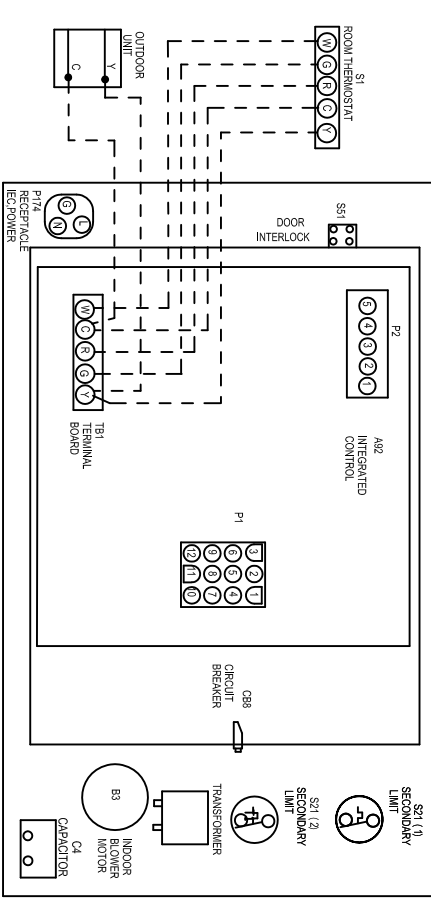


UNIT	COOL	HEAT	PARK	PARK2	HEAT	COOL	1	2	3	4	5	6	7	8	9	10	
07P38A	BLACK	YELLOW	RED	---	---	---	---	---	---	---	---	---	---	---	---	---	
09P48B	BLACK	BROWN	YELLOW	RED	---	---	---	---	---	---	---	---	---	---	---	---	
10P38C	BROWN	BLACK	YELLOW	RED	---	---	---	---	---	---	---	---	---	---	---	---	
11P60C	BLACK	YELLOW	RED	---	---	---	---	---	---	---	---	---	---	---	---	---	
13P60D	BLACK	YELLOW	RED	---	---	---	---	---	---	---	---	---	---	---	---	---	
SPEED SELECTION		HI		LO		---		---		---		---		---		---	
TAPS		BLACK	BROWN	YELLOW	RED	---	---	---	---	---	---	---	---	---	---	---	---

NOTE: SEE INSTALLATION INSTRUCTIONS FOR SPECIFIC COOLING TONNAGE BEING APPLIED AND HEATING TEMPERATURE RISE DESIRED.

J1B	JACKPLUG OUTPUT
J1B	JACKPLUG-BURNER CONTROL
J1C	JACKPLUG-COMB. AIR INDUCER
J1D	JACKPLUG-SECONDARY LIMIT
J1E	JACKPLUG-INDUCER/IGNITOR
J1F	JACKPLUG-IGNITOR

TERMOSTAT HEAT ANTICIPATION SETTING
65 AMP | HOMEWELL VALVE



NOTE: IF ANY WIRE IN THIS APPLIANCE IS REPLACED, IT MUST BE REPLACED WITH WIRE OF LIKE SIZE, RATING, INSULATION THICKNESS AND TERMINATION. IMPORTANT - TO PREVENT MOTOR BURNOUT NEVER CONNECT MORE THAN ONE MOTOR LEAD TO ANY ONE CONNECTION. PARK TERMINALS ARE IMPROVED TERMINALS. ALL WIRE TERMINALS MUST BE WIRED TO A PINK TERMINAL ONLY. USE COPPER CONDUCTORS ONLY. 09P48B DO NOT USE RED (LOW SPEED) FOR HEATING. LEAVE ON PARK. 11P60C DO NOT USE YELLOW (MEDIUM LOW SPEED) & RED (LOW SPEED) FOR HEATING. LEAVE ON PARK. FIELD SUPPLIED ACC. WIRE. WARNINGS: REFRIGERANT LEAKS CAN CAUSE INJURY. REFRIGERANT MUST BE GROUNDING IN ACCORDANCE WITH NATIONAL AND LOCAL CODES.

LENNOX HEATING UNITS-GAS

ML180UH0707P36A	ML180UH10AP36C
ML180UH0707P36A	ML180UH10AP36C
ML180UH0907P48B	ML180UH10AP60C
ML180UH0907P48B	ML180UH135TP60D
ML180UH10TP38C	ML180UH135AP60D

0712 Form No. 537536-01

--- LINE VOLTAGE FIELD INSTALLED
- - - CLASS II VOLTAGE FIELD WIRING
↑ DENOTES OPTIONAL COMPONENTS