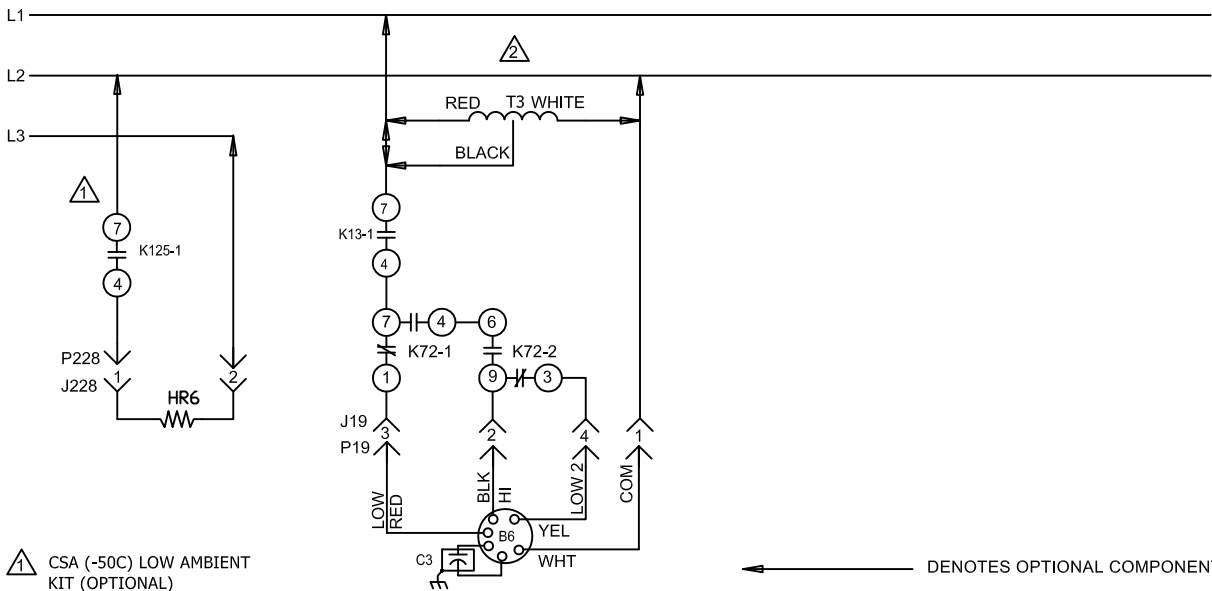
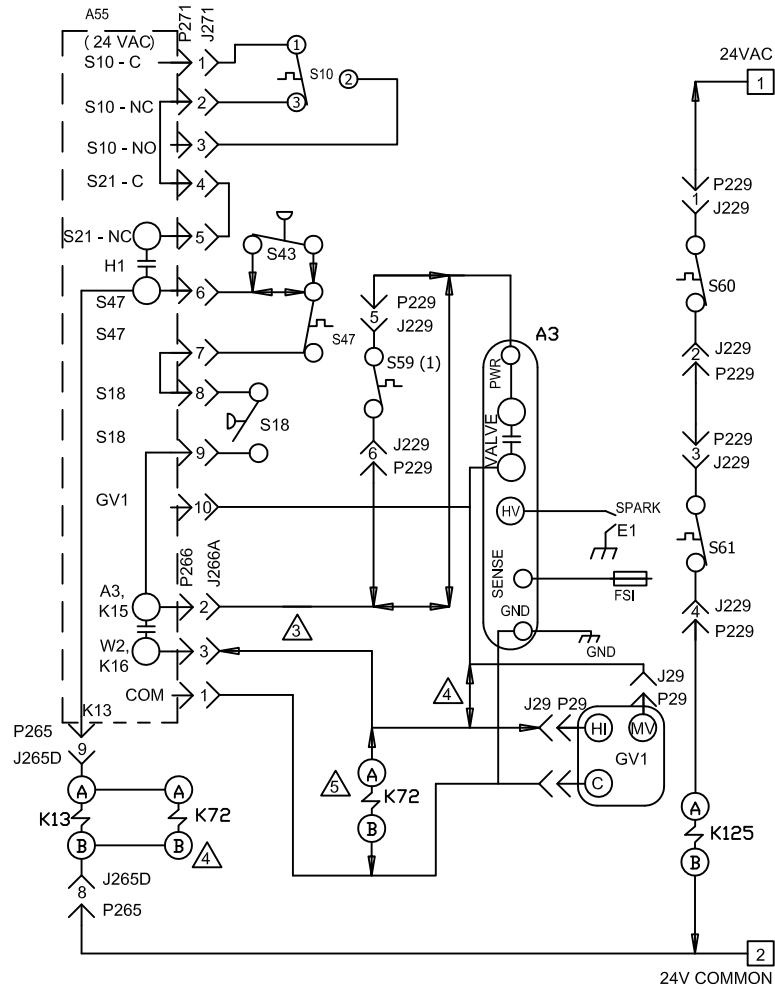


KEY	DESCRIPTION
A3	CONTROL, BURNER 1
A55	CONTROL, MAIN BOARD LENNOX
B6	MOTOR, COMBUSTION AIR BLOWER
C3	CAPACITOR, COMB AIR BLOWER 1
E1	SPARK
FS1	SENSOR, FLAME
GV1	VALVE, GAS 1
HR6	HEATER, -50C LOW AMBIENT KIT
J19	JACK, COMBUSTION AIR BLOWER 1
J29	JACK, VALVE HONEYWELL
J228	JACK, VESTIBULE HEATER
J229	JACK, VESTIBULE HEATER CONTROL 1
J265C	JACK, CONTACTOR RELAY
J266A	JACK, HEATING CONTROL STG 1
J271A,B	JACK, HEATING SENSORS STG 1
K13,-1	RELAY, COMBUSTION AIR BLOWER
K72,-1,2	RELAY, GAS 3
K125,-1	RELAY, HEAT SHUT OFF
P19	PLUG, COMBUSTION AIR BLOWER 1
P29	PLUG, VALVE HONEYWELL
P228	PLUG, VESTIBULE HEATER
P229	PLUG, VESTIBULE HEATER CONTROL 1
P265	PLUG, CONTACTOR RELAY
P266	PLUG, HEATING CONTROL
P271	PLUG, HEATING SENSORS STG 1
S10	SWITCH, LIMIT PRIMARY GAS
S18	SWITCH, COMBUSTION AIR PROVE 1
S43	SWITCH, LOW GAS PRESSURE
S47	SWITCH FLAME ROLLOUT BURNER
S59	TSTAT, OPEN -20F, CLOSE 10F
S60	TSTAT, OPEN 20F, CLOSE -10F
S61	TSTAT, OPEN 50F, CLOSE 20F
T3	TRANSFORMER COMB AIR BWR 1



- ⚠ CSA (-50C) LOW AMBIENT KIT (OPTIONAL)
- ⚠ T3 USED ON 460V AND 575 V UNITS ONLY
- ⚠ GV1 HOOKUP FOR 150 BURNER
- ⚠ SINGLE STAGE ONLY/K72 HOOKUP ON 036 UNIT
- ⚠ K72 HOOKUP ON 060 UNIT

← DENOTES OPTIONAL COMPONENTS

03/12		STRATEGOS WIRING DIAGRAM 537540-01	03/12
HEATING			
GAS HEAT SGC 105 AND 150 BURNERS			
SECTION A			REV 0
Supersedes		New Form No. 537540-01	