

UNIT	FACTORY CONNECTED SPEED TAPS				MOTOR SPEEDS AVAIL.
	COOL	HEAT	PARK	PARK	
045P24A	BROWN	RED	BLACK	YELLOW	4
045P(XP)36A	BROWN	RED	BLACK	YELLOW	4
070P24A	BLACK	YELLOW	RED	---	3
070P(XP)36A	BROWN	YELLOW	BLACK	RED	4
090P36B	BROWN	YELLOW	BLACK	RED	4
090P(XP)48B	BLACK	YELLOW	BROWN	RED	4
110P48C	BROWN	YELLOW	BLACK	RED	4
110P(XP)60C	BROWN	YELLOW	BLACK	RED	4
135P60D	BROWN	YELLOW	BLACK	RED	4

BLOWER SPEED SELECTION				
HI		LO		
SPEED TAPS	BLACK	YELLOW	RED	3
	BLACK	BROWN	YELLOW	4

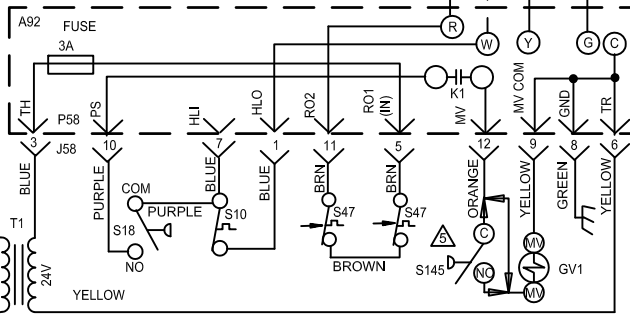
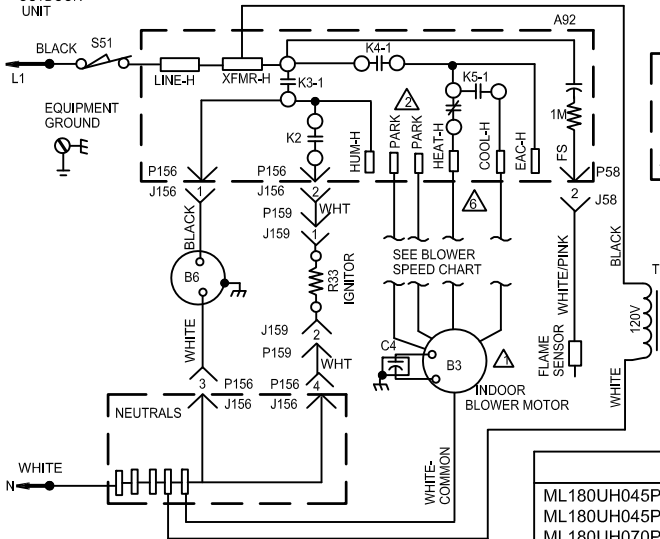
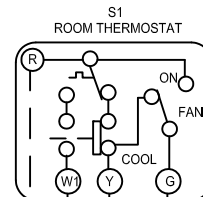
**THERMOSTAT HEAT ANTICIPATION SETTINGS**

.65 AMP	HONEYWELL VALVE
.50 AMP	WHITE-RODGERS VALVE

JACKPLUG CHART	
J.P58	JACK/PLUG-BURNER CONTROL
J.P84	JACK/PLUG-COMB AIR INDUCER
J.P156	JACK/PLUG-INDUCER/IGNITER
J.P159	JACK/PLUG-IGNITION

NOTE-  
IF ANY WIRE IN THIS APPLIANCE IS REPLACED, IT MUST BE REPLACED WITH WIRE OF LIKE SIZE, RATING, INSULATION THICKNESS AND TERMINATION.

- ⚠ IMPORTANT- TO PREVENT MOTOR BURNOUT, NEVER CONNECT MORE THAN ONE MOTOR LEAD TO ANY ONE CONNECTION.
- ⚠ PARK TERMINALS ARE UNPOWERED TERMINALS. ALL UNUSED MOTOR LEADS MUST BE WIRED TO A PARK TERMINAL.
- ⚠ FOR CORRECT NUMBER OF SECONDARY LIMITS USED, SEE SECONDARY LIMIT SECTION OF BLOWER SPEED CHART.
- ⚠ 070P24A AND 090P36B ONLY. DO NOT USE RED (LOW SPEED) MOTOR LEAD FOR HEATING. LEAVE ON PARK.
- ⚠ FIELD SUPPLIED ACC. WIRE.
- ⚠ USE COPPER CONDUCTORS ONLY.



HEATING UNITS-GAS		
ML180UH045P24A	ML180UH090P48B	ML180UH045XP36A
ML180UH045P36A	ML180UH110P48C	ML180UH070XP36A
ML180UH070P24A	ML180UH110P60C	ML180UH090XP48B
ML180UH070P36A	ML180UH135P60D	ML180UH110XP60C
ML180UH090P36B		

0512

Supersedes



**Form No.**  
**537551-01**