

BLOWER SPEED CHART				
UNIT	FACTORY CONNECTED SPEED TAPS			MOTOR SPEEDS AVAIL.
	COOL	HEAT	PARK	
045P24B		YELLOW	BLACK, RED	4
045P36B		RED	BLACK, YELLOW	4
070P24B	BROWN	BLACK	YELLOW, RED	4
070P36B		YELLOW	BLACK, RED	4
090P36C		YELLOW	BLACK, RED	4
090P48C		YELLOW	BLACK, RED	4
110P48C		BLACK	YELLOW, RED	4
110P60C		YELLOW	BLACK, RED	4
135P60D		YELLOW	BLACK, RED	4

HI ← BLOWER SPEED SELECTION → LO

SPEED TAPS	BLACK	BROWN	YELLOW	RED	4
------------	-------	-------	--------	-----	---

THERMOSTAT HEAT ANTICIPATION SETTINGS

.65 AMP	HONEYWELL VALVE
.50 AMP	WHITE-RODGERS VALVE

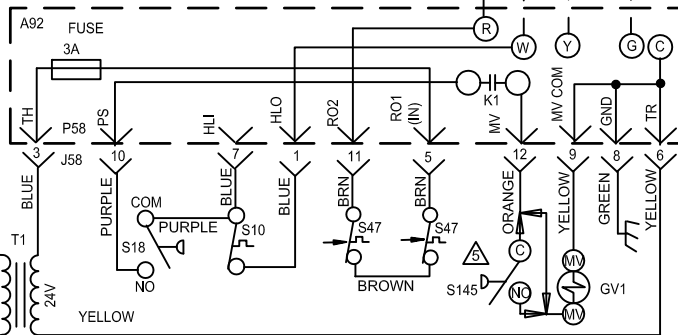
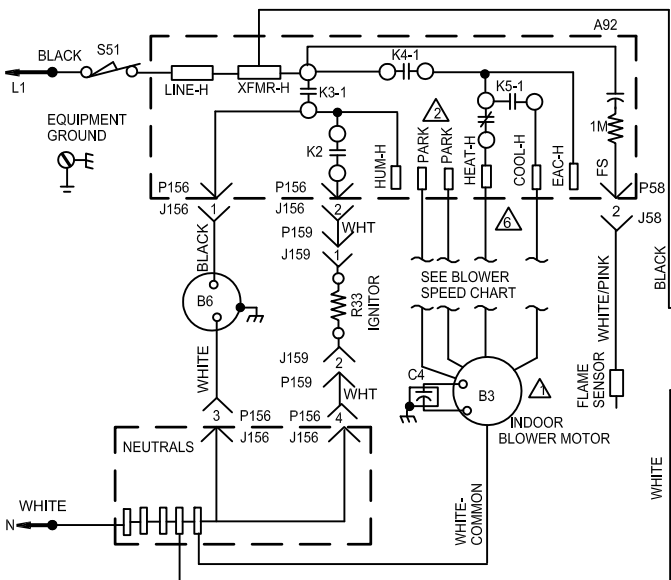
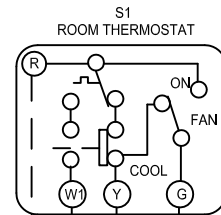
JACKPLUG CHART

J.P58	JACK/PLUG-BURNER CONTROL
J.P156	JACK/PLUG-INDUCER/IGNITER
J.P159	JACK/PLUG-IGNITER

WARNING- ELECTRIC SHOCK HAZARD, CAN CAUSE INJURY OR DEATH. UNIT MUST BE GROUNDED IN ACCORDANCE WITH NATIONAL AND LOCAL CODES

NOTE- IF ANY WIRE IN THIS APPLIANCE IS REPLACED, IT MUST BE REPLACED WITH WIRE OF LIKE SIZE, RATING, INSULATION THICKNESS AND TERMINATION

- ⚠ IMPORTANT- TO PREVENT MOTOR BURNOUT, NEVER CONNECT MORE THAN ONE LEAD TO ANY ONE CONNECTION
- ⚠ PARK TERMINALS ARE UNPOWERED TERMINALS. ALL UNUSED MOTOR LEADS MUST BE WIRED TO A PARK TERMINAL
- ⚠ FIELD SUPPLIED ACC. WIRE
- ⚠ DO NOT USE RED (LOW SPD) MOTOR LEAD FOR HEATING. LEAVE ON PARK TERMINAL FOR 070P24B, 090P36C, 110P48C AND 135P60D UNITS
- ⚠ S145 IS USED WITH HONEYWELL GAS VALVE WHEN APPLIED IN LP GAS UNITS
- ⚠ HEAT/COOL JUMPER PRESENT ON SOME MODELS



LENNOX HEATING UNITS-GAS

ML193UH045P24B	ML193UH090P48C
ML193UH045P36B	ML193UH110P48C
ML193UH070P24B	ML193UH110P60C
ML193UH070P36B	ML193UH135P60D
ML193UH090P36C	

Supersedes 0512

← DENOTES OPTIONAL COMPONENTS
 — LINE VOLTAGE FIELD INSTALLED
 - - - CLASS II VOLTAGE FIELD WIRING



Form No. 537552-01