

NOTE-USE COPPER CONDUCTORS ONLY

BLOWER SPEED CHART				
UNIT	FACTORY CONNECTED SPEED TAPS			MOTOR SPEEDS AVAIL.
	COOL	HEAT	PARK	
045XP24B				
045XP36B				
070XP24B				
070XP36B				
090XP36C				
090XP48C				
110XP48C				
110XP60C				
135XP60D				

BLOWER SPEED SELECTION

HI ← → LO

SPEED TAPS	BLACK	BROWN	YELLOW	RED	4

TERMOSTAT HEAT ANTICIPATION SETTINGS

.65 AMP	HONEYWELL VALVE
.50 AMP	WHITE-RODGERS VALVE

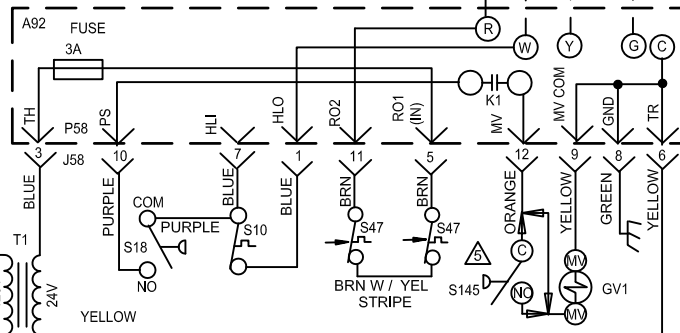
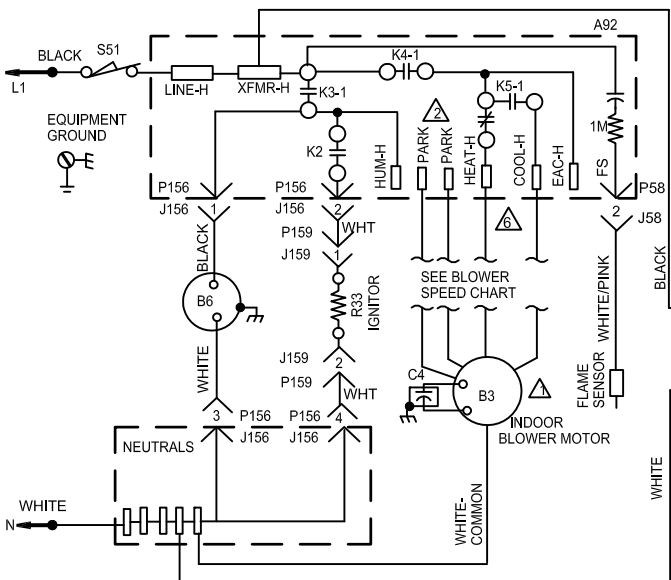
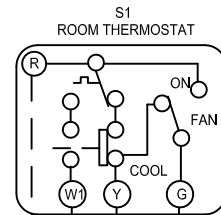
JACKPLUG CHART

J.P58	JACK/PLUG-BURNER CONTROL
J.P156	JACK/PLUG-INDUCER/IGNITER
J.P159	JACK/PLUG-IGNITER

WARNING- ELECTRIC SHOCK HAZARD, CAN CAUSE INJURY OR DEATH. UNIT MUST BE GROUNDED IN ACCORDANCE WITH NATIONAL AND LOCAL CODES

NOTE- IF ANY WIRE IN THIS APPLIANCE IS REPLACED, IT MUST BE REPLACED WITH WIRE OF LIKE SIZE, RATING, INSULATION THICKNESS AND TERMINATION

- ⚠ IMPORTANT- TO PREVENT MOTOR BURNOUT, NEVER CONNECT MORE THAN ONE LEAD TO ANY ONE CONNECTION
- ⚠ PARK TERMINALS ARE UNPOWERED TERMINALS. ALL UNUSED MOTOR LEADS MUST BE WIRED TO A PARK TERMINAL
- ⚠ FIELD SUPPLIED ACC. WIRE
- ⚠ DO NOT USE RED (LOW SPD) MOTOR LEAD FOR HEATING. LEAVE ON PARK TERMINAL FOR 070P24B, 090P36C, 110P48C AND 135P60D UNITS
- ⚠ S145 IS USED WITH HONEYWELL GAS VALVE WHEN APPLIED IN LP GAS UNITS
- ⚠ HEAT/COOL JUMPER PRESENT ON SOME MODELS



← DENOTES OPTIONAL COMPONENTS  
 — LINE VOLTAGE FIELD INSTALLED  
 - - - CLASS II VOLTAGE FIELD WIRING

LENNOX HEATING UNITS-GAS

ML193UH045XP24B	ML193UH090XP48C
ML193UH045XP36B	ML193UH110XP48C
ML193UH070XP24B	ML193UH110XP60C
ML193UH070XP36B	ML193UH135XP60D
ML193UH090XP36C	

Supersedes

1214



Form No.  
 537552-01