

**BLOWER SPEED CHART**

UNIT	FACTORY CONNECTED SPEED TAPS			MOTOR SPEEDS AVAIL.
	COOL	HEAT	PARK	
045XP24B	BROWN	YELLOW	BLACK, RED	4
045XP36B		RED	BLACK, YELLOW	4
070XP36B		YELLOW	BLACK, RED	4
090XP36C		BROWN	BLACK, YELLOW, RED	4
090XP48C		YELLOW	BLACK, RED	4
110XP48C		BLACK	BLACK	BROWN, YELLOW, RED
110XP60C	BLACK	BROWN	YELLOW, RED	4
135XP60D	BLACK	BROWN	YELLOW, RED	4

BLOWER SPEED SELECTION

HI ← → LO

SPEED TAPS	BLACK	BROWN	YELLOW	RED	4
------------	-------	-------	--------	-----	---

THERMOSTAT HEAT ANTICIPATION SETTINGS

.65 AMP	HONEYWELL VALVE
---------	-----------------

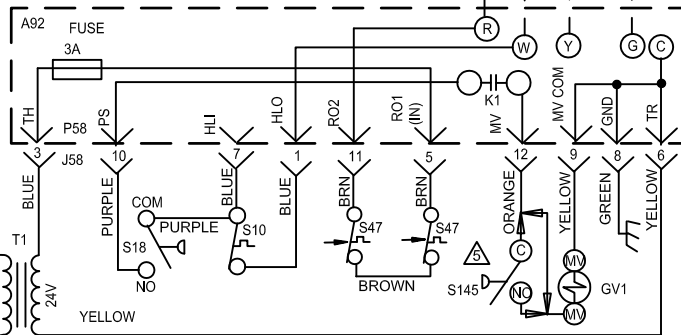
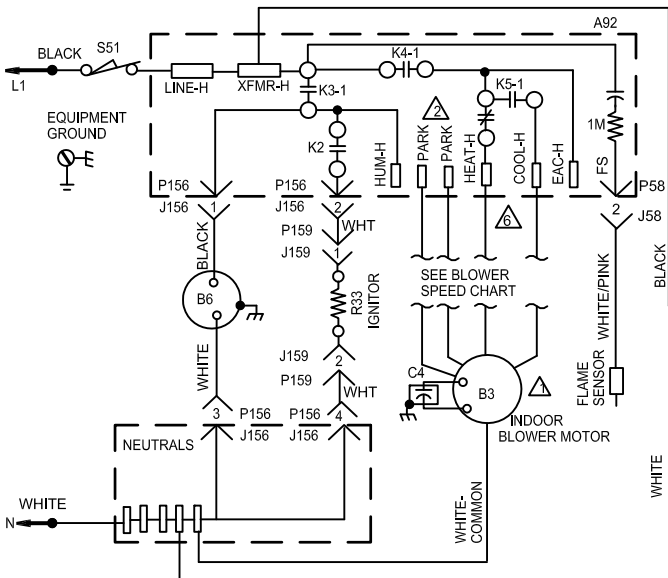
**JACKPLUG CHART**

J.P58	JACK/PLUG-BURNER CONTROL
J.P156	JACK/PLUG-INDUCER/IGNITER
J.P159	JACK/PLUG-IGNITER

**WARNING-**  
ELECTRIC SHOCK HAZARD, CAN CAUSE INJURY OR DEATH. UNIT MUST BE GROUNDED IN ACCORDANCE WITH NATIONAL AND LOCAL CODES

**NOTE-**  
IF ANY WIRE IN THIS APPLIANCE IS REPLACED, IT MUST BE REPLACED WITH WIRE OF LIKE SIZE, RATING, INSULATION THICKNESS AND TERMINATION

- ⚠ **IMPORTANT-**  
TO PREVENT MOTOR BURNOUT, NEVER CONNECT MORE THAN ONE LEAD TO ANY ONE CONNECTION
- ⚠ **2** PARK TERMINALS ARE UNPOWERED TERMINALS. ALL UNUSED MOTOR LEADS MUST BE WIRED TO A PARK TERMINAL
- ⚠ **3** FIELD SUPPLIED ACC. WIRE
- ⚠ **4** DO NOT USE RED ( LOW SPEED) MOTOR LEAD FOR HEATING. LEAVE ON PARK TERMINAL FOR 090XP36C, 110XP48C AND 135XP60D UNITS
- ⚠ **5** S145 IS USED WITH HONEYWELL GAS VALVE WHEN APPLIED IN LP GAS UNITS
- ⚠ **6** HEAT/COOL JUMPER PRESENT ON SOME MODELS



**LENNOX HEATING UNITS-GAS**

ML195UH045XP24B	ML195UH090XP48C
ML195UH045XP36B	ML195UH110XP48C
ML195UH070XP36B	ML195UH110XP60C
ML195UH090XP36C	ML195UH135XP60D

0512 Supersedes

← DENOTES OPTIONAL COMPONENTS  
— LINE VOLTAGE FIELD INSTALLED  
- - - CLASS II VOLTAGE FIELD WIRING



**Form No.**  
**537554-01**