

BLOWER SPEED CHART				
UNIT	FACTORY CONNECTED SPEED TAPS			MOTOR SPEEDS AVAIL.
	COOL	HEAT	PARK	
045XP36B	BROWN	RED	BLACK, YELLOW	4
070XP36B	BLACK	BROWN	YELLOW, RED	4
090XP60C	BROWN	YELLOW	BLACK, RED	4
110XP60C	BLACK	BROWN	YELLOW, RED	4

← BLOWER SPEED SELECTION →

SPEED TAPS	BLACK	BROWN	YELLOW	RED	4
------------	-------	-------	--------	-----	---

THERMOSTAT HEAT ANTICIPATION SETTINGS

.65 AMP	HONEYWELL VALVE
.50 AMP	WHITE-RODGERS VALVE

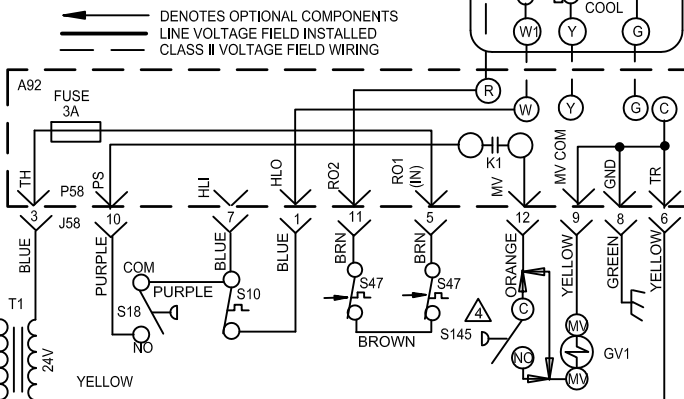
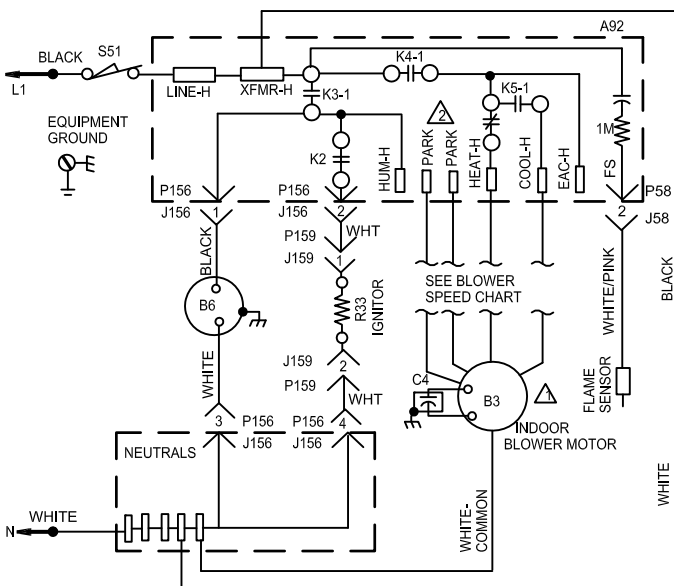
JACKPLUG CHART

J.P58	JACK/PLUG-BURNER CONTROL
J.P156	JACK/PLUG-INDUCER/IGNITER
J.P159	JACK/PLUG-IGNITER

WARNING-
ELECTRIC SHOCK HAZARD, CAN CAUSE INJURY OR DEATH. UNIT MUST BE GROUNDED IN ACCORDANCE WITH NATIONAL AND LOCAL CODES

NOTE-
IF ANY WIRE IN THIS APPLIANCE IS REPLACED, IT MUST BE REPLACED WITH WIRE OF LIKE SIZE, RATING, INSULATION THICKNESS AND TERMINATION

- ⚠ **IMPORTANT-**
TO PREVENT MOTOR BURNOUT, NEVER CONNECT MORE THAN ONE LEAD TO ANY ONE CONNECTION
- ⚠ **PARK TERMINALS ARE UNPOWERED TERMINALS.**
ALL UNUSED MOTOR LEADS MUST BE WIRED TO A PARK TERMINAL
- ⚠ **FIELD SUPPLIED ACC. WIRE**
- ⚠ **S145 IS USED WITH HONEYWELL GAS VALVE WHEN APPLIED IN LP GAS UNITS**



LENNOX HEATING UNITS-GAS

- ML195DF045XP36B
- ML195DF070XP36B
- ML195DF090XP60C
- ML195DF110XP60C

0512 Supersedes



Form No.
537555-01