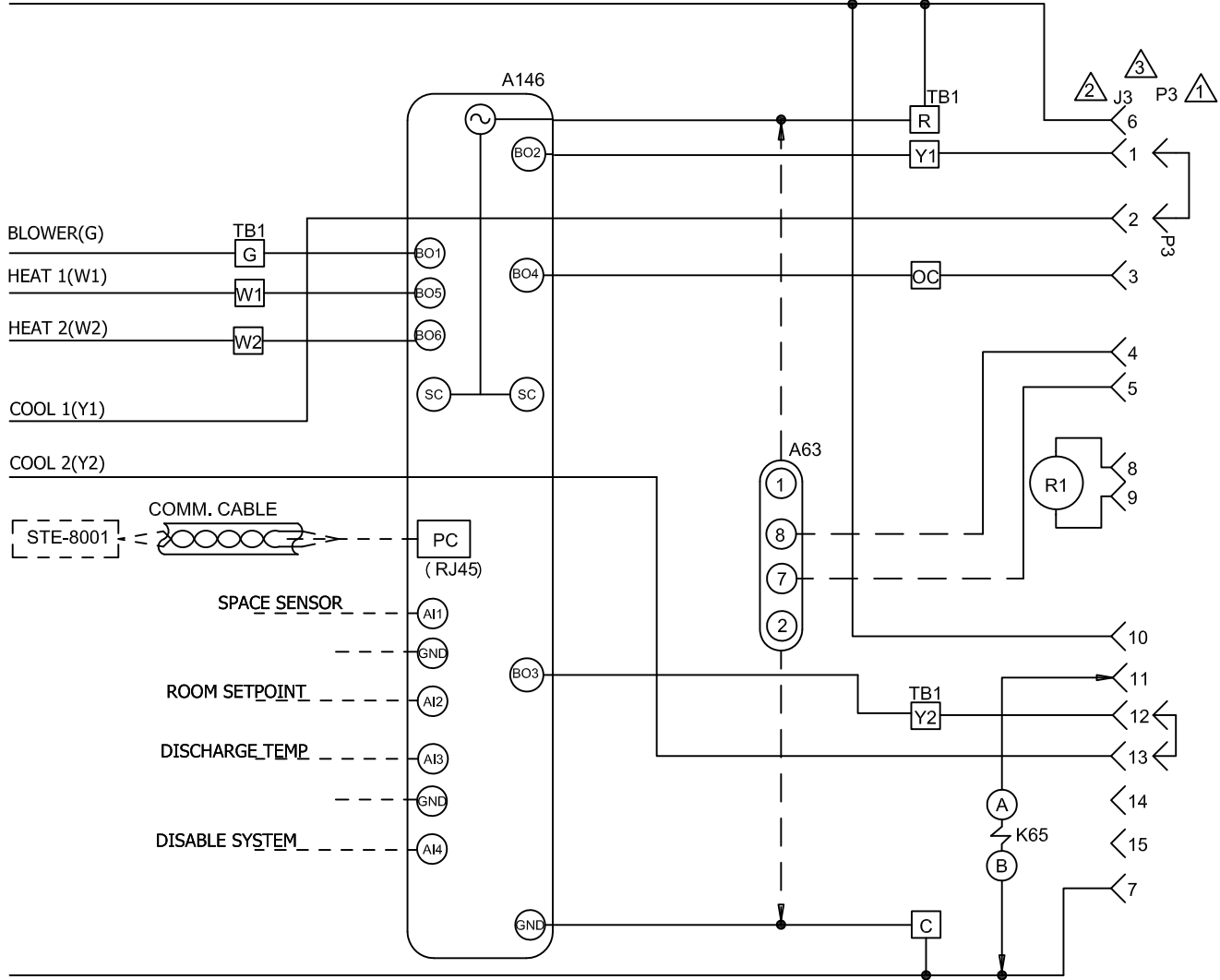
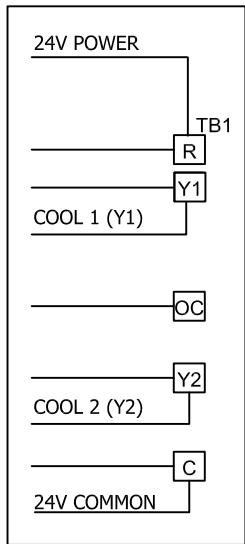


24V POWER



24V COMMON



| KEY   | COMPONENT                        |
|-------|----------------------------------|
| A146  | CONTROL, BACNET                  |
| A63   | SENSOR, CO2                      |
| J3/P3 | JACK/PLUG, UNIT ECONOMIZER       |
| K65   | RELAY, EXHAUST FAN               |
| R1    | SENSOR, MIXED AIR OR SUPPLY AIR  |
| TB1   | TERMINAL STRIP, CLASS II VOLTAGE |

- ⚠️ REMOVE P3 WHEN ECONOMIZER IS USED, ONLY ON KCA, KGA AND KHA 180 THROUGH 300 UNITS.
- ⚠️ J3 MAXIMUM LOAD 20VA 24VAC CLASS II
- ⚠️ J3 AND P3 ARE NOT USED ON KCA, KGA AND KHA 092 THROUGH 150 UNITS WITHOUT ECONOMIZER

CONNECTION SCHEME FOR KCA, KGA AND KHA 092 THROUGH 150 UNITS WITHOUT ECONOMIZER ONLY

— — — — — DENOTES OPTIONAL COMPONENTS  
 - - - - - CLASS II FIELD WIRING

|                                                              |                           |       |
|--------------------------------------------------------------|---------------------------|-------|
| 01/13                                                        | WIRING DIAGRAM            | 01/13 |
| 537563-01                                                    |                           |       |
| CONTROLS                                                     |                           |       |
| CONTROL FOR LANDMARK SERIES<br>BACNET MODULE (CAV B & C BOX) |                           |       |
| SECTION C                                                    |                           | REV 0 |
| Supersedes                                                   | New Form No.<br>537563-01 |       |