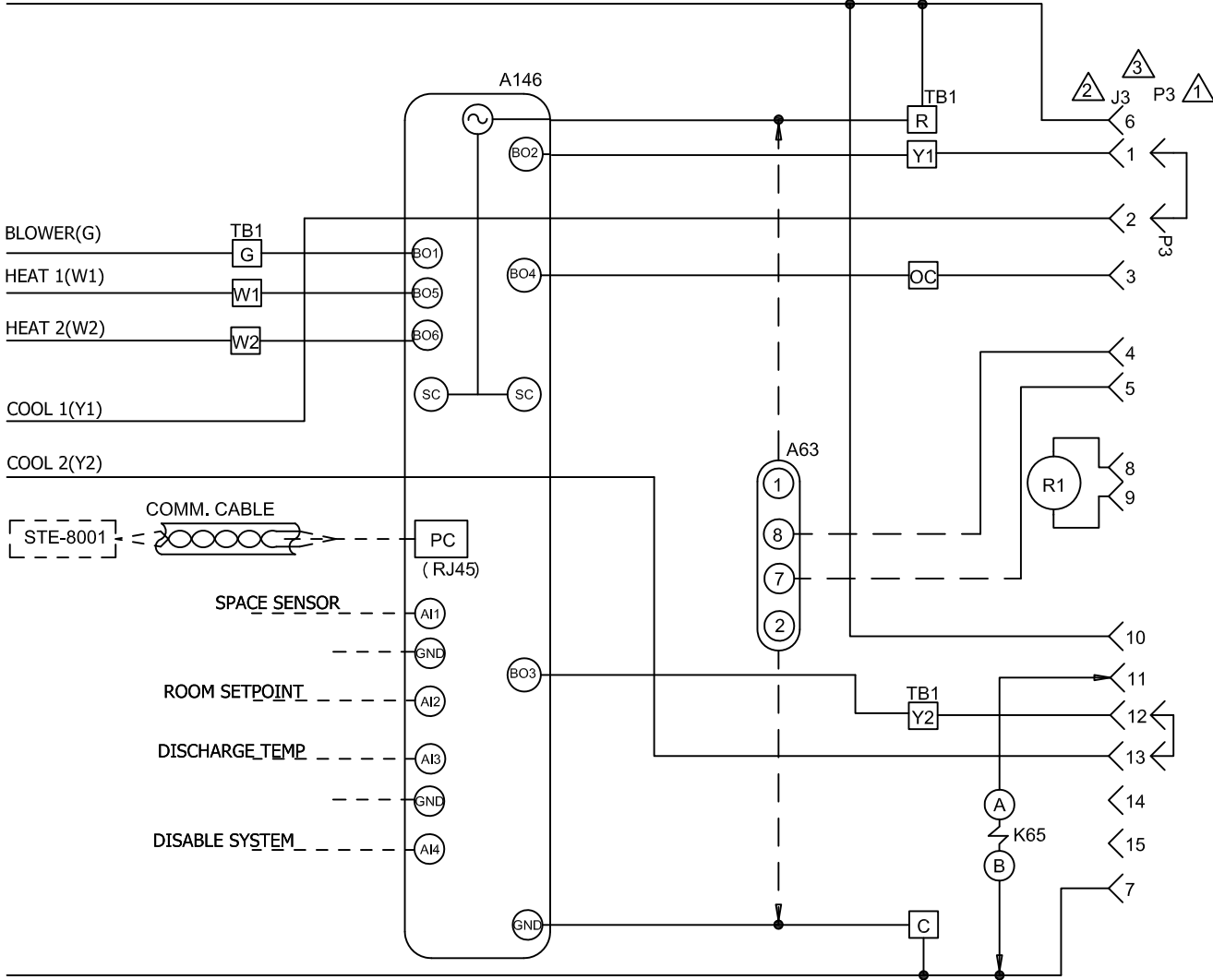
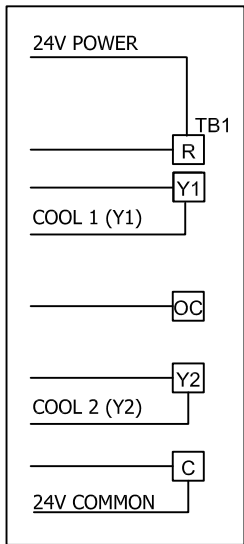


24V POWER



24V COMMON



KEY	COMPONENT
A146	CONTROL, BACNET
A63	SENSOR, CO2
J3/P3	JACK/PLUG, UNIT ECONOMIZER
K65	RELAY, EXHAUST FAN
R1	SENSOR, MIXED AIR OR SUPPLY AIR
TB1	TERMINAL STRIP, CLASS II VOLTAGE

- ⚠️ REMOVE P3 WHEN ECONOMIZER IS USED, ONLY ON KCA, KGA AND KHA 180 THROUGH 300 UNITS.
- ⚠️ J3 MAXIMUM LOAD 20VA 24VAC CLASS II
- ⚠️ J3 AND P3 ARE NOT USED ON KCA, KGA AND KHA 092 THROUGH 150 UNITS WITHOUT ECONOMIZER

CONNECTION SCHEME FOR KCA, KGA AND KHA 092 THROUGH 150 UNITS WITHOUT ECONOMIZER ONLY

— — — — — DENOTES OPTIONAL COMPONENTS
 - - - - - CLASS II FIELD WIRING

05/13	WIRING DIAGRAM	05/13
537563-01		
CONTROLS		
CONTROL FOR BACNET MODULE (CAV B & C BOX)		
SECTION C		REV 1
Supersedes	New Form No. 537563-01	