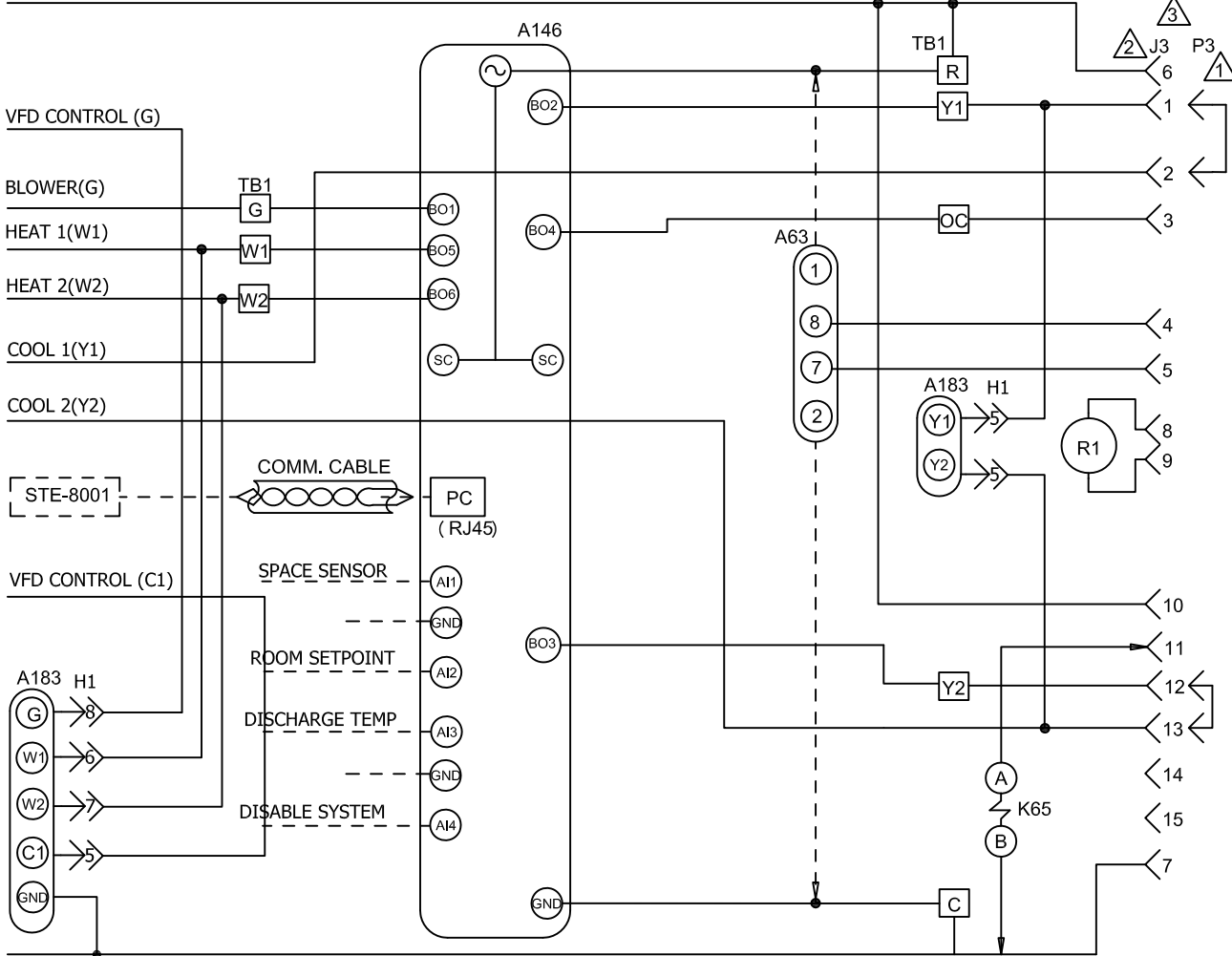
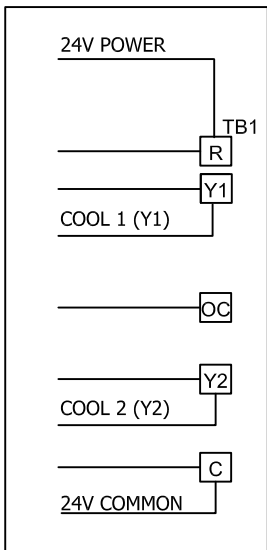


24V POWER



24V COMMON


KEY	COMPONENT
A146	CONTROL, BACNET
A63	SENSOR, CO2
A183	CONTROL, VFD BOARD
H1	HEADER 1 ON VFD BOARD
J3/P3	JACK/PLUG, ECONOMIZER OR BYPASS
K65	RELAY, EXHAUST FAN
R1	SENSOR, MIXED AIR OR SUPPLY AIR
TB1	TERMINAL STRIP, CLASS II VOLTAGE



CONNECTION SCHEME FOR KCA, KGA AND KHA 092 THROUGH 150 UNITS WITHOUT ECONOMIZER ONLY

- ⚠️ REMOVE P3 WHEN ECONOMIZER IS USED, ONLY ON KCA, KGA AND KHA 180 THROUGH 300 UNITS.
- ⚠️ J3 MAXIMUM LOAD 20VA 24VAC CLASS II
- ⚠️ J3/P3 ARE NOT USED ON KCA, KGA AND KHA 092 THROUGH 150 UNITS WITHOUT ECONOMIZER

— DENOTES OPTIONAL COMPONENTS  
 - - - CLASS II FIELD WIRING

05/13	 537564-01	WIRING DIAGRAM	05/13
		CONTROLS	
CONTROL FOR BACNET MODULE (VFD B & C BOX)			
SECTION C			REV 1
Supersedes		New Form No. 537564-01	