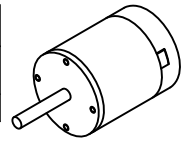
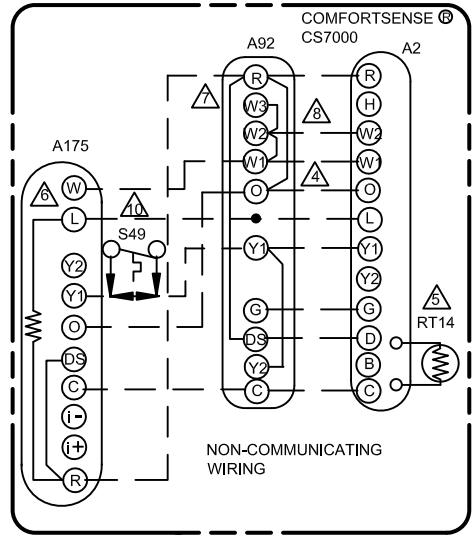
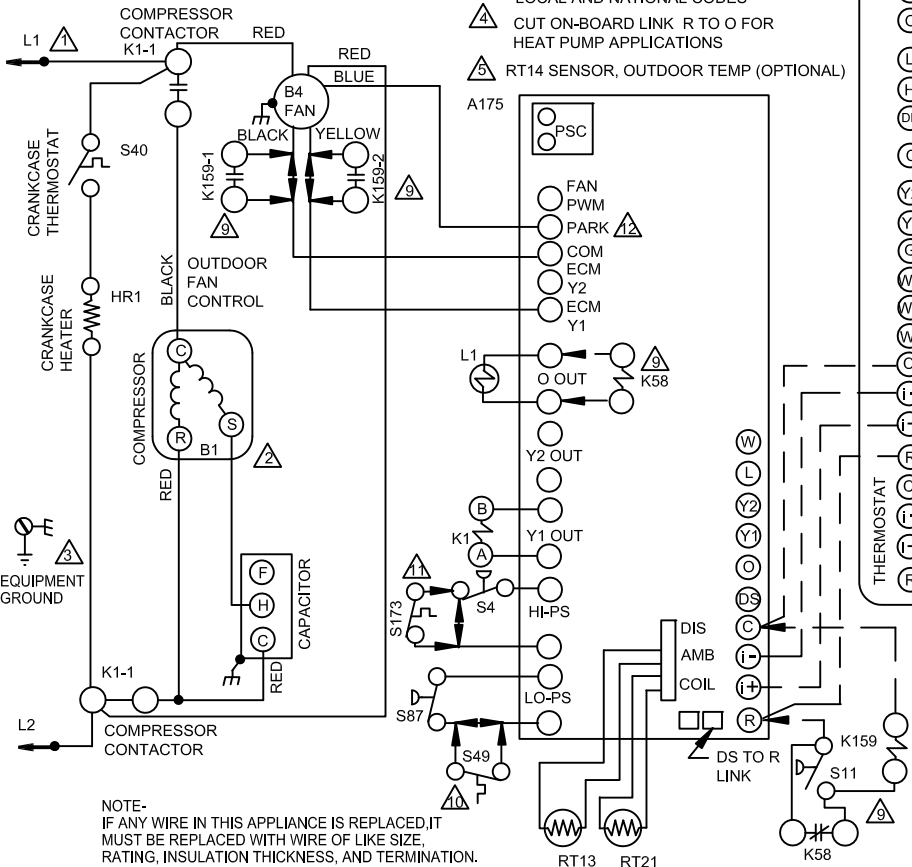


ECM MOTOR		
STAGE 1 RPM	STAGE 2 RPM	EDA STAGE RPM
700	N/A	250



- ⚠️ RESISTOR KIT (47W97) IS REQUIRED WHEN USING COMFORTSENSE 7000 (Y0349) WITH A175 OUTDOOR CONTROL. RESISTOR KIT NOT REQUIRED WHEN USING COMFORTSENSE 7000 (Y2081)
- ⚠️ CUT ON-BOARD LINK FROM DS TO R FOR DEHUMIDIFICATION ON A92
- ⚠️ METAL JUMPERS ACROSS W1, W2, AND W3 COME FROM FACTORY
- ⚠️ OPTIONAL LOW AMBIENT CONTROLS
- ⚠️ TYPICAL FREEZESTAT
- ⚠️ S173 SWITCH USED ONLY IN UNITS EQUIPPED WITH COMPRESSORS WHICH DO NOT INCLUDE INTERNAL SWITCH
- ⚠️ UNITS COME FACTORY WIRED FOR LOW OUTDOOR FAN SPEED ONLY. HIGH SPEED (BLUE WIRE) IS CONNECTED TO PARK TERMINAL.

- ⚠️ NOTE-FOR USE WITH COPPER CONDUCTORS ONLY. REFER TO UNIT RATING PLATE FOR MINIMUM CIRCUIT AMPACITY AND MAXIMUM OVERCURRENT PROTECTION SIZE
- ⚠️ REFER TO COMPRESSOR IN UNIT FOR ACTUAL TERMINAL ARRANGEMENT
- ⚠️ WARNING-ELECTRIC SHOCK HAZARD CAN CAUSE INJURY OR DEATH. UNIT MUST BE GROUNDED IN ACCORDANCE WITH LOCAL AND NATIONAL CODES
- ⚠️ CUT ON-BOARD LINK R TO O FOR HEAT PUMP APPLICATIONS
- ⚠️ RT14 SENSOR, OUTDOOR TEMP (OPTIONAL)



- LINE VOLTAGE FIELD INSTALLED
- - - CLASS II VOLTAGE FIELD WIRING
- ⚡ DENOTES OPTIONAL COMPONENTS

LENNOX HEAT PUMP OUTDOOR UNITS

XP17N

0812 Supersedes

Form No. **537565-01**

0812

© 2011 Litho U.S.A.

NOTE- IF ANY WIRE IN THIS APPLIANCE IS REPLACED, IT MUST BE REPLACED WITH WIRE OF LIKE SIZE, RATING, INSULATION THICKNESS, AND TERMINATION.