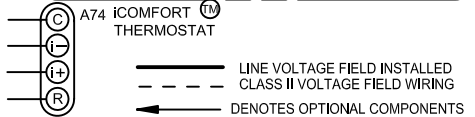
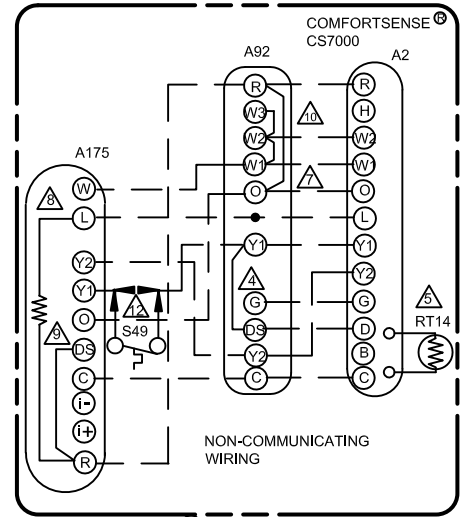
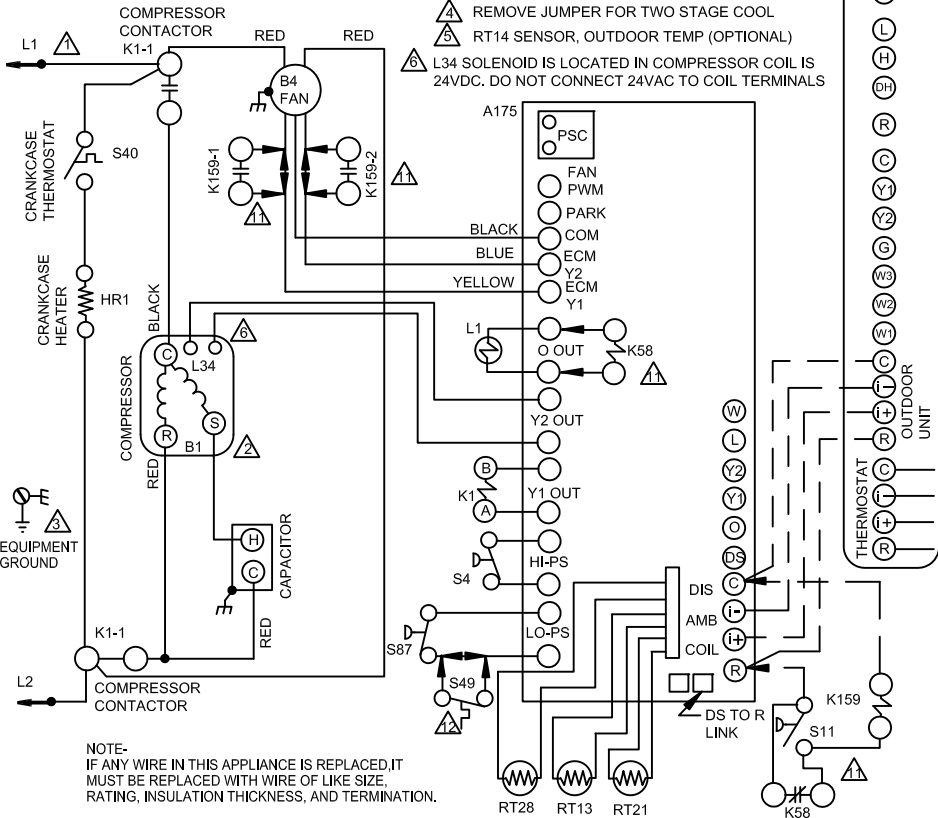


- ⚠ NOTE- FOR USE WITH COPPER CONDUCTORS ONLY. REFER TO UNIT RATING PLATE FOR MINIMUM CIRCUIT AMPACITY AND MAXIMUM OVERCURRENT PROTECTION SIZE
- ⚠ REFER TO COMPRESSOR IN UNIT FOR ACTUAL TERMINAL ARRANGEMENT
- ⚠ WARNING- ELECTRIC SHOCK HAZARD. CAN CAUSE INJURY OR DEATH. UNIT MUST BE GROUNDED IN ACCORDANCE WITH NATIONAL AND LOCAL CODES.
- ⚠ REMOVE JUMPER FOR TWO STAGE COOL
- ⚠ RT14 SENSOR, OUTDOOR TEMP (OPTIONAL)
- ⚠ L34 SOLENOID IS LOCATED IN COMPRESSOR COIL IS 24VDC. DO NOT CONNECT 24VAC TO COIL TERMINALS

- ⚠ CUT ON-BOARD LINK R TO O FOR HEAT PUMP APPLICATIONS
- ⚠ RESISTOR KIT (47W97) IS REQUIRED WHEN USING COMFORTSENSE 7000 (Y0349) WITH A175 OUTDOOR CONTROL. RESISTOR KIT NOT REQUIRED WHEN USING COMFORTSENSE 7000 (Y2081)
- ⚠ FOR HUMIDITROL OPERATION (EDA), CONNECT FIELD PROVIDED WIRE FROM DS ON A92 TO DS ON A175. CUT JUMPER FROM DS TO R ON A175.
- ⚠ METAL JUMPERS ACROSS W1, W2, AND W3 COME FROM FACTORY. REMOVE JUMPER FROM W1 TO W2 FOR TWO STAGE ELECTRIC HEAT, AIR HANDLERS ONLY
- ⚠ OPTIONAL LOW AMBIENT CONTROLS
- ⚠ TYPICAL FREEZESTAT



— LINE VOLTAGE FIELD INSTALLED
 - - - CLASS II VOLTAGE FIELD WIRING
 ← DENOTES OPTIONAL COMPONENTS

LENNOX		HEAT PUMP OUTDOOR UNITS	
XP21N			
0512		Supersedes	
0512		Form No. 537566-01	

NOTE- IF ANY WIRE IN THIS APPLIANCE IS REPLACED IT MUST BE REPLACED WITH WIRE OF LIKE SIZE, RATING, INSULATION THICKNESS, AND TERMINATION.