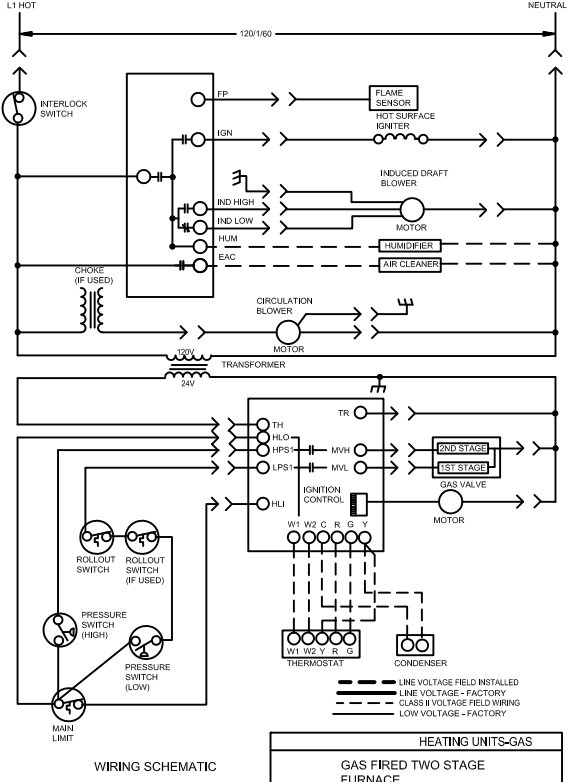


CONNECTION DIAGRAM

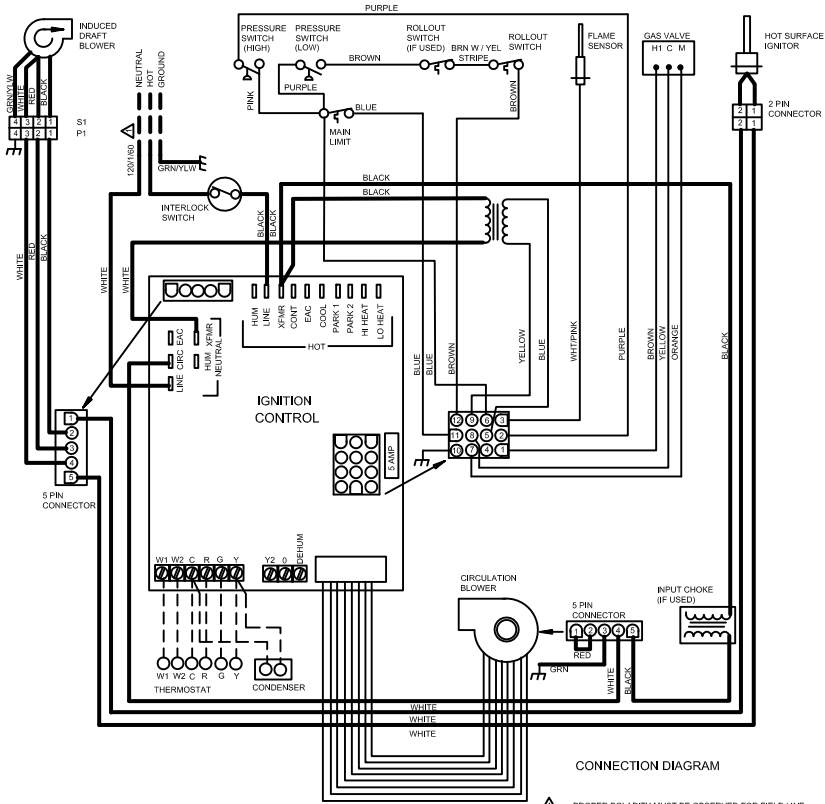
⚠ PROPER POLARITY MUST BE OBSERVED FOR FIELD LINE VOLTAGE SUPPLY. IGNITION CONTROL WILL LOCK OUT IF POLARITY IS REVERSED.  
 FOR TEMPORARY SERVICE REPLACEMENT ON CIRCULATING BLOWER MOTOR WITH PSC MOTOR, CONNECT MOTOR LEADS TO "EAC" TERMINALS ON IGNITION CONTROL.



WIRING SCHEMATIC

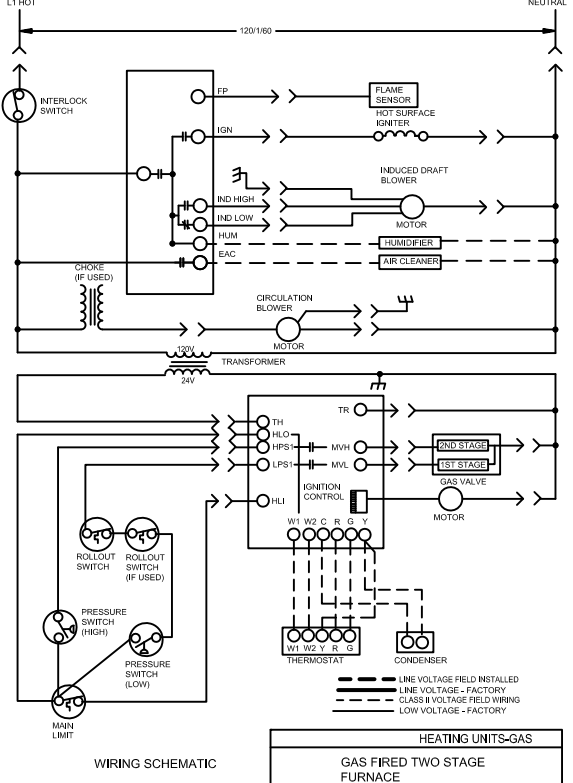
WARNING- ELECTRIC SHOCK HAZARD CAN CAUSE INJURY OR DEATH. LIMIT MUST BE GROUNDED IN ACCORDANCE WITH NATIONAL AND LOCAL CODES.  
 NOTE: IF ANY WIRE IN THIS APPLIANCE IS REPLACED IT MUST BE REPLACED WITH WIRE OF LIKE SIZE, RATING, INSULATION THICKNESS, AND TERMINATION.

HEATING UNITS-GAS	
GAS FIRED TWO STAGE FURNACE	
Supt. No. 537437-01	
1214	Form No. 537567-01



CONNECTION DIAGRAM

⚠ PROPER POLARITY MUST BE OBSERVED FOR FIELD LINE VOLTAGE SUPPLY. IGNITION CONTROL WILL LOCK OUT IF POLARITY IS REVERSED.  
 FOR TEMPORARY SERVICE REPLACEMENT ON CIRCULATING BLOWER MOTOR WITH PSC MOTOR, CONNECT MOTOR LEADS TO "EAC" TERMINALS ON IGNITION CONTROL.



WIRING SCHEMATIC

WARNING- ELECTRIC SHOCK HAZARD CAN CAUSE INJURY OR DEATH. LIMIT MUST BE GROUNDED IN ACCORDANCE WITH NATIONAL AND LOCAL CODES.  
 NOTE: IF ANY WIRE IN THIS APPLIANCE IS REPLACED IT MUST BE REPLACED WITH WIRE OF LIKE SIZE, RATING, INSULATION THICKNESS, AND TERMINATION.

HEATING UNITS-GAS	
GAS FIRED TWO STAGE FURNACE	
Supt. No. 537437-01	
1214	Form No. 537567-01