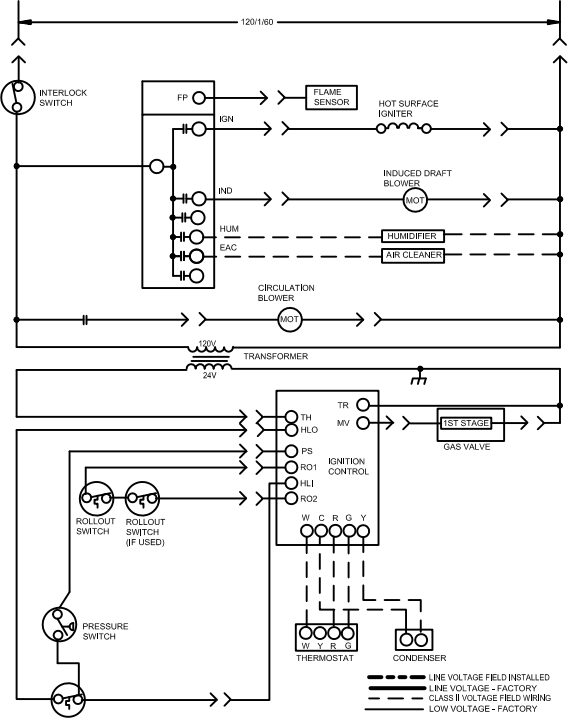


| UNIT (INPUT-OFM) | BLOWER SPEED CHART | | |
|------------------------------------|--------------------|--------|---------------|
| | COOL | HEAT | PARK |
| 045-12 | BROWN | RED | BLACK, YELLOW |
| 070-08 | BLACK | YELLOW | RED |
| 070-12 | BROWN | YELLOW | BLACK, RED |
| 090-12 | BROWN | YELLOW | BLACK, RED |
| 090-16 | BLACK | YELLOW | BROWN, RED |
| 110-12 | BROWN | BLACK | YELLOW, RED |
| 110-16 | BROWN | YELLOW | BLACK, RED |
| 110-20 | BROWN | YELLOW | BLACK, RED |
| 135-20 | BROWN | YELLOW | BLACK, RED |
| BLOWER SPEED SELECTION | | | |
| HI ← → LO | | | |
| SPEED TAPS: BLACK BROWN YELLOW RED | | | |

CONNECTION DIAGRAM

⚠ PROPER POLARITY MUST BE OBSERVED FOR FIELD LINE VOLTAGE SUPPLY. IGNITION CONTROL WILL LOCK OUT IF POLARITY IS REVERSED



WIRING SCHEMATIC

WARNING- ELECTRIC SHOCK HAZARD, CAN CAUSE INJURY OR DEATH. UNIT MUST BE GROUNDED IN ACCORDANCE WITH NATIONAL AND LOCAL CODES.
NOTE- IF ANY WIRE IN THIS APPLIANCE IS REPLACED IT MUST BE REPLACED WITH WIRE OF LIKE SIZE, RATING, INSULATION THICKNESS, AND TERMINATION

HEATING UNITS-GAS
GAS FIRED SINGLE STAGE FURNACE

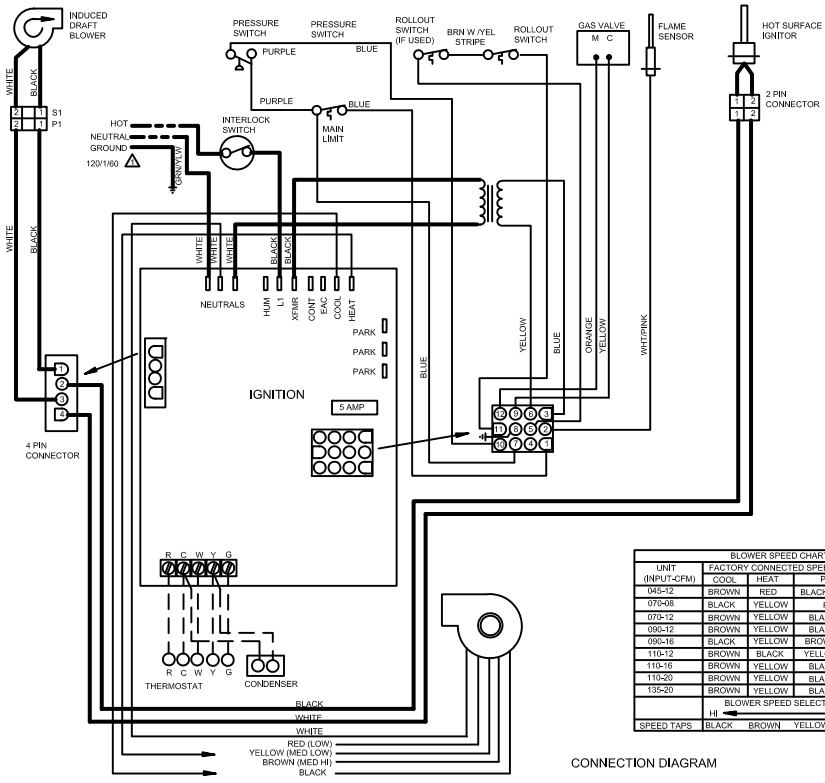
Supersedes

Form No. 537571-01

12/14

© 2011

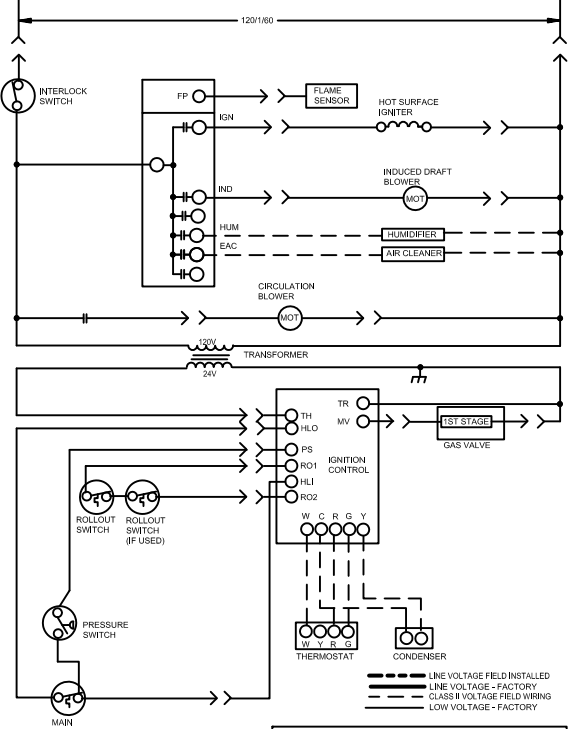
UHS U.S.A.



| UNIT (INPUT-OFM) | BLOWER SPEED CHART | | |
|------------------------------------|--------------------|--------|---------------|
| | COOL | HEAT | PARK |
| 045-12 | BROWN | RED | BLACK, YELLOW |
| 070-08 | BLACK | YELLOW | RED |
| 070-12 | BROWN | YELLOW | BLACK, RED |
| 090-12 | BROWN | YELLOW | BLACK, RED |
| 090-16 | BLACK | YELLOW | BROWN, RED |
| 110-12 | BROWN | BLACK | YELLOW, RED |
| 110-16 | BROWN | YELLOW | BLACK, RED |
| 110-20 | BROWN | YELLOW | BLACK, RED |
| 135-20 | BROWN | YELLOW | BLACK, RED |
| BLOWER SPEED SELECTION | | | |
| HI ← → LO | | | |
| SPEED TAPS: BLACK BROWN YELLOW RED | | | |

CONNECTION DIAGRAM

⚠ PROPER POLARITY MUST BE OBSERVED FOR FIELD LINE VOLTAGE SUPPLY. IGNITION CONTROL WILL LOCK OUT IF POLARITY IS REVERSED



WIRING SCHEMATIC

WARNING- ELECTRIC SHOCK HAZARD, CAN CAUSE INJURY OR DEATH. UNIT MUST BE GROUNDED IN ACCORDANCE WITH NATIONAL AND LOCAL CODES.
NOTE- IF ANY WIRE IN THIS APPLIANCE IS REPLACED IT MUST BE REPLACED WITH WIRE OF LIKE SIZE, RATING, INSULATION THICKNESS, AND TERMINATION

HEATING UNITS-GAS
GAS FIRED SINGLE STAGE FURNACE

Supersedes

Form No. 537571-01

12/14

© 2011

UHS U.S.A.