

**BLOWER SPEED CHART**

UNIT	FACTORY CONNECTED SPEED TAPS				
	COOL	HEAT	FAN	PARK	
045A(E)12	BLACK	BLUE	RED	BROWN, YELLOW	
070B(E)12					
090B(E)16					
090C(E)20					
110C(E)20	BROWN	BLUE	RED	BLACK, YELLOW	
135D(E)20	BLOWER SPEED SELECTION				
	HI ←-----→ LO				
SPEED TAPS	BLACK	BROWN	BLUE	YELLOW	RED

**JACK/PLUG CHART**

J.P48	JACK/PLUG-INDOOR BLOWER-POWER
J.P49	JACK/PLUG-INDOOR BLOWER-SPD TAP
J.P58	JACK/PLUG-BURNER CONTROL
J.P84	JACK/PLUG-COMB AIR INDUCER
J.P135	JACK/PLUG-SECONDARY LIMIT (S)
J.P156	JACK/PLUG-IGNITER/IGNITER
J.P159	JACK/PLUG-IGNITION

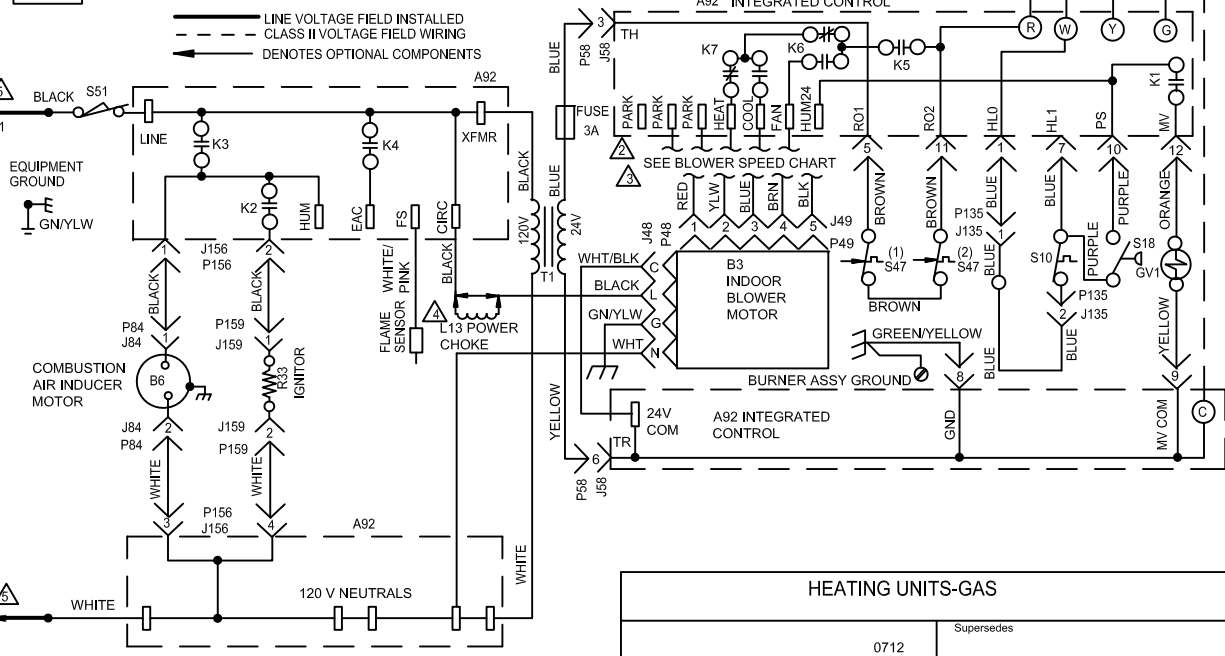
NOTE-  
IF ANY WIRE IN THIS APPLIANCE IS REPLACED IT  
MUST BE REPLACED WITH WIRE OF LIKE SIZE,  
RATING, INSULATION THICKNESS AND TERMINATION.

- ⚠ 'R' REQUIRED ON SOME OUTDOOR UNITS
- ⚠ PARK TERMINALS ARE UNPOWERED TERMINALS. ALL UNUSED MOTOR LEADS MUST BE WIRED TO A PARK TERMINAL.
- ⚠ DO NOT USE RED (LOW SPEED) MOTOR LEAD FOR HEATING SPEED ON 045(X)E36A, 070(X)E36B, 110(X)E60C AND 135E60D UNITS. RESULTING TEMPERATURE RISE WILL BE OUTSIDE OF RISE RANGE.
- ⚠ L13 POWER CHOKE USED ON ¾ AND 1 HP ONLY
- ⚠ USE COPPER CONDUCTORS ONLY.

**THERMOSTAT HEAT ANTICIPATION SETTINGS**

.65 AMP	HONEYWELL VALVE
.50 AMP	WHITE-RODGERS VALVE

**A92 INTEGRATED CONTROL**



WARNING-  
ELECTRIC SHOCK HAZARD. CAN CAUSE INJURY  
OR DEATH. UNIT MUST BE GROUNDED IN ACCORDANCE  
WITH NATIONAL AND LOCAL CODES.

**HEATING UNITS-GAS**

0712 Supersedes

Form No. 537573-01