

BLOWER SPEED CHART

UNIT	FACTORY CONNECTED SPEED TAPS			
	COOL	HEAT	FAN	PARK
045A(E)12	BLACK	BLUE	RED	BROWN, YELLOW
070B(E)12				
090B(E)16				
090C(E)20				
110C(E)20	BROWN	BLUE	RED	BLACK, YELLOW
135D(E)20	BROWN	BLUE	RED	BLACK, YELLOW

HI ← BLOWER SPEED SELECTION → LO

SPEED TAPS	BLACK	BROWN	BLUE	YELLOW	RED
------------	-------	-------	------	--------	-----

JACK/PLUG CHART

J.P48	JACK/PLUG-INDOOR BLOWER-POWER
J.P49	JACK/PLUG-INDOOR BLOWER-SPD TAP
J.P58	JACK/PLUG-BURNER CONTROL
J.P84	JACK/PLUG-COMB AIR INDUCER
J.P135	JACK/PLUG-SECONDARY LIMIT (S)
J.P156	JACK/PLUG-IGNITER/IGNITER
J.P159	JACK/PLUG-IGNITION

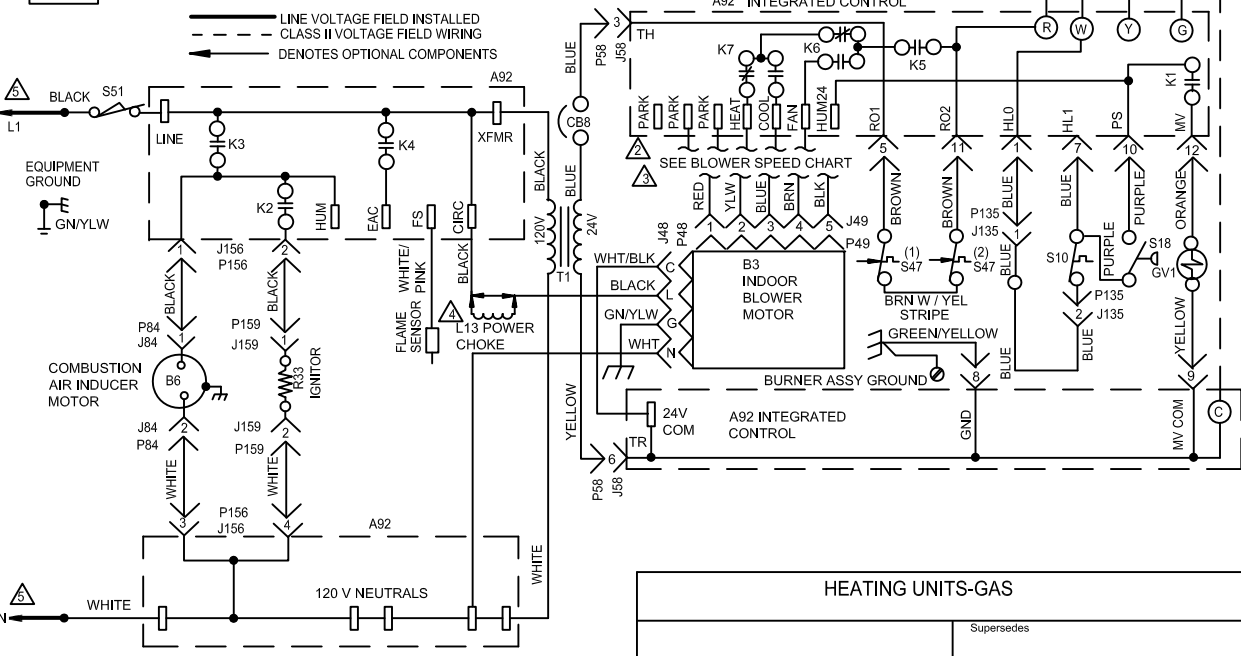
NOTE-
IF ANY WIRE IN THIS APPLIANCE IS REPLACED IT MUST BE REPLACED WITH WIRE OF LIKE SIZE, RATING, INSULATION THICKNESS AND TERMINATION.

- ⚠ 'R' REQUIRED ON SOME OUTDOOR UNITS
- ⚠ PARK TERMINALS ARE UNPOWERED TERMINALS. ALL UNUSED MOTOR LEADS MUST BE WIRED TO A PARK TERMINAL.
- ⚠ DO NOT USE RED (LOW SPEED) MOTOR LEAD FOR HEATING SPEED ON 045(X)E36A, 070(X)E36B, 110(X)E60C AND 135E60D UNITS. RESULTING TEMPERATURE RISE WILL BE OUTSIDE OF RISE RANGE.
- ⚠ L13 POWER CHOKE USED ON ¾ AND 1 HP ONLY
- ⚠ USE COPPER CONDUCTORS ONLY.

THERMOSTAT HEAT ANTICIPATION SETTINGS

.65 AMP	HONEYWELL VALVE
.50 AMP	WHITE-RODGERS VALVE

A92 INTEGRATED CONTROL



WARNING-
ELECTRIC SHOCK HAZARD. CAN CAUSE INJURY OR DEATH. UNIT MUST BE GROUNDED IN ACCORDANCE WITH NATIONAL AND LOCAL CODES.

HEATING UNITS-GAS

Supersedes

1214

Form No. 537573-01