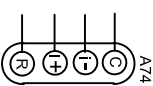
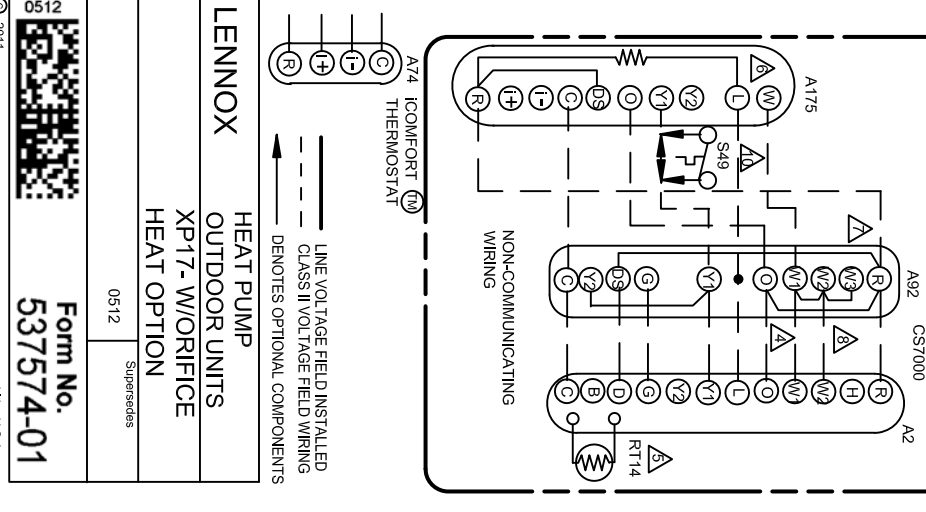
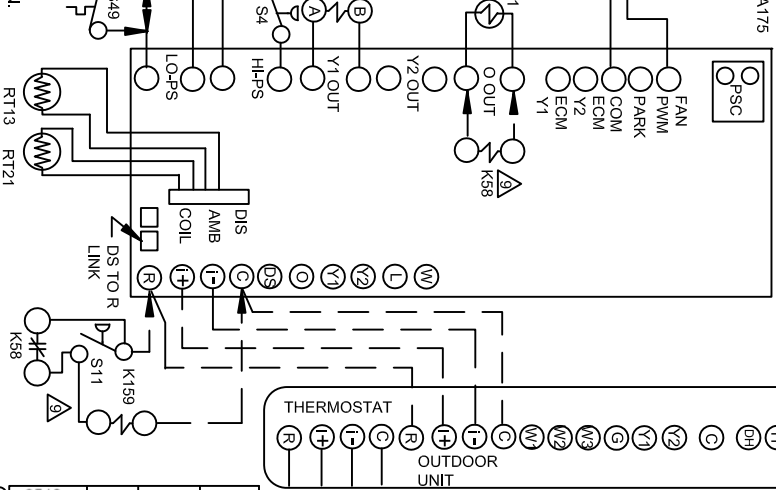
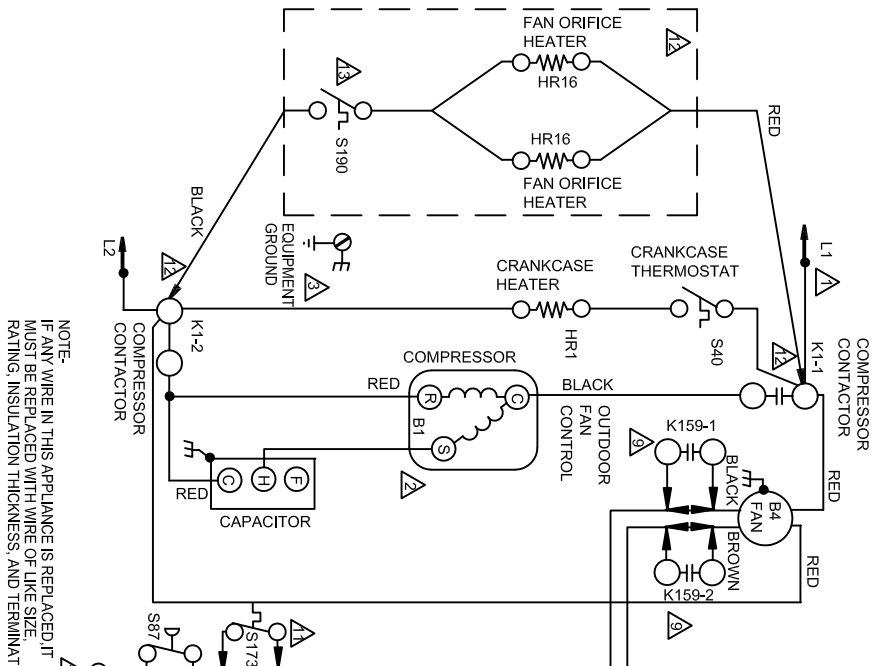


- ▲ NOTE-FOR USE WITH COPPER CONDUCTORS ONLY. REFER TO UNIT RATING PLATE FOR MINIMUM CIRCUIT AMPACITY AND MAXIMUM OVERCURRENT PROTECTION SIZE
- ▲ REFER TO COMPRESSOR IN UNIT FOR ACTUAL TERMINAL ARRANGEMENT
- ▲ WARNING-ELECTRIC SHOCK HAZARD CAN CAUSE INJURY OR DEATH. UNIT MUST BE GROUNDED IN ACCORDANCE WITH LOCAL AND NATIONAL CODES
- ▲ CUT ON-BOARD LINK R TO O FOR HEAT PUMP APPLICATIONS
- ▲ RT14 SENSOR, OUTDOOR TEMP (OPTIONAL)

GFM PROFILE SELECTION			
MODEL	FAN RPM	STAGE 1	EDA STAGE
PROFILE	RPM	RPM	RPM
024	0	400	400
030	1	450	450
036	4	600	600
042	4	800	800
048	6	675	675
060	6	675	675

- ▲ RESISTOR KIT (47W97) IS REQUIRED WHEN USING COMFORTSENSE 7000 (Y0349) WITH A175 OUTDOOR CONTROL. RESISTOR KIT NOT REQUIRED WHEN USING COMFORTSENSE 7000 (Y2081)
- ▲ CUT ON-BOARD LINK FROM DS TO R FOR DEHUMIDIFICATION ON A92
- ▲ METAL JUMPERS ACROSS W1, W2, AND W3 COME FROM FACTORY
- ▲ OPTIONAL LOW AMBIENT CONTROLS
- ▲ TYPICAL FREEZE/STAT
- ▲ S173 SWITCH USED ONLY IN UNITS EQUIPPED WITH COMPRESSORS WHICH DO NOT INCLUDE INTERNAL SWITCH
- ▲ NOTE: OPTIONAL FAN ORIFICE RING HEATER KIT.
- ▲ S190 ORIFICE HEATER COIL SENSOR (CLOSE 35°F/OPEN 45°F).



**LENNOX**

HEAT PUMP  
OUTDOOR UNITS  
XP17- W/ORIFICE  
HEAT OPTION

0512  
Supersedes

Form No. 537574-01

© 2011 Lennox U.S.A.

NOTE:  
IF ANY WIRE IN THIS APPLIANCE IS REPLACED IT MUST BE REPLACED WITH WIRE OF LIKE SIZE, RATING, INSULATION THICKNESS, AND TERMINATION.