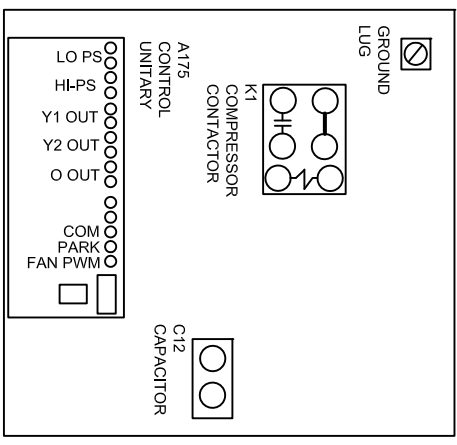
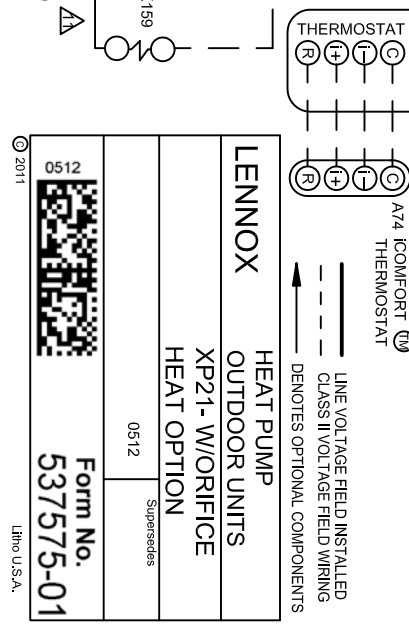
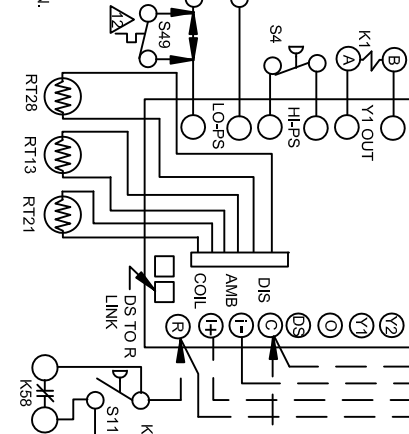
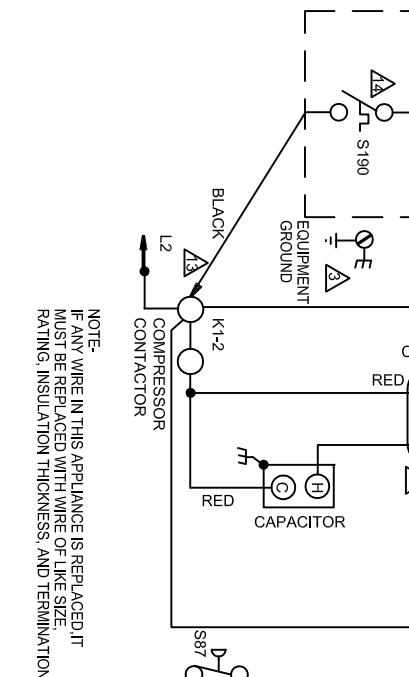
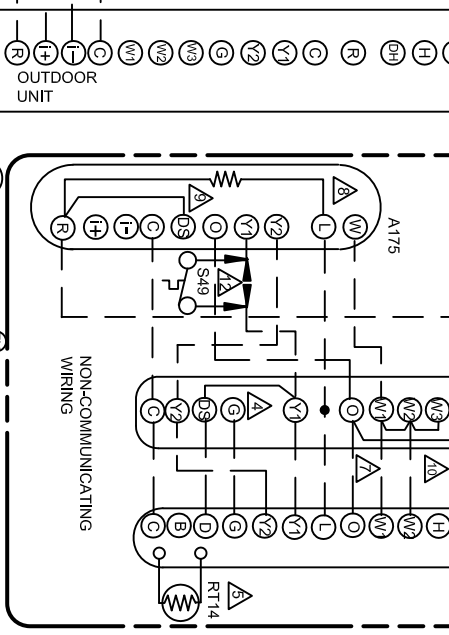
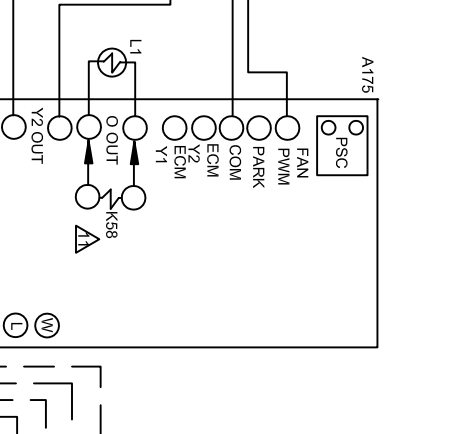
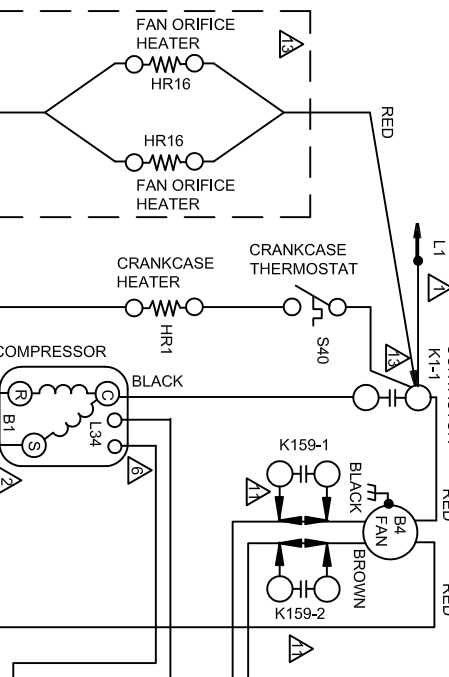


CFM PROFILE SELECTION				
MODEL	FAN RPM	STAGE 1	STAGE 2	STAGE 3
024	10	425	500	200
036	12	525	600	225
048	14	600	675	225
060	15	625	700	225

- ▲ CUT ON-BOARD LINK R TO O FOR HEAT PUMP APPLICATIONS
- ▲ RESISTOR KIT (47W97) IS REQUIRED WHEN USING COMFORTSENSE 7000 (Y0349) WITH A175 OUTDOOR CONTROL. RESISTOR KIT NOT REQUIRED WHEN USING COMFORTSENSE 7000 (Y2081)
- ▲ FOR HUMIDITROL OPERATION (EDA) CONNECT FIELD PROVIDED WIRE FROM DS ON A92 TO DS ON A175. CUT JUMPER FROM DS TO R ON A175.
- ▲ METAL JUMPERS ACROSS W1, W2, AND W3 COME FROM FACTORY. REMOVE JUMPER FROM W1 TO W2 FOR TWO STAGE ELECTRIC HEAT. AIR HANDLERS ONLY
- ▲ OPTIONAL LOW AMBIENT CONTROLS
- ▲ TYPICAL FREEZESTAT
- ▲ NOTE: OPTIONAL FAN ORIFICE RING HEATER KIT.
- ▲ S190 ORIFICE HEATER COIL SENSOR (CLOSE 35°F/OPEN 45°F).



- ▲ RT14 SENSOR: OUTDOOR TEMP (OPTIONAL)
- ▲ L34 SOLENOID IS LOCATED IN COMPRESSOR COIL IS 24VDC. DO NOT CONNECT 24VAC TO COIL TERMINALS



NOTE: IF ANY WIRE IN THIS APPLIANCE IS REPLACED IT MUST BE REPLACED WITH WIRE OF LIKE SIZE, RATING, INSULATION THICKNESS, AND TERMINATION.

LENNOX

HEAT PUMP
OUTDOOR UNITS
XP21- W/ORIFICE
HEAT OPTION

0512
Supersedes

Form No. 537575-01

© 2011 Lennox U.S.A.