

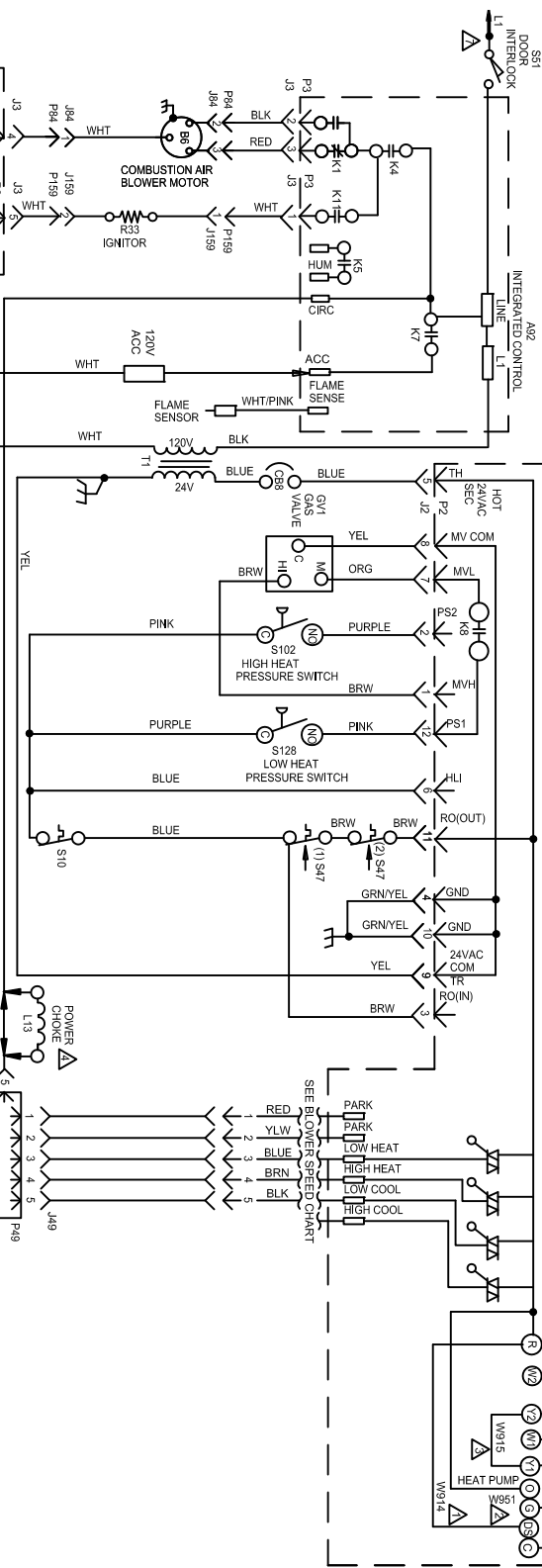
UNIT	HI COOL	LOW COOL	HIGH HEAT	LOW HEAT	PARK
D/F4SXE388	BLACK	BROWN	BLUE	YELLOW	RED
D/F4SXE388	BLACK	BROWN	BLUE	YELLOW	RED
D/F4SXE488	BLACK	BROWN	BLUE	YELLOW	RED
D/F4SXE488	BLACK	BROWN	BLUE	YELLOW	RED
D/F4SXE488	BLACK	BROWN	BLUE	YELLOW	RED
D/F4SXE488	BLACK	BROWN	BLUE	YELLOW	RED
D/F4SXE488	BLACK	BROWN	BLUE	YELLOW	RED
D/F4SXE488	BLACK	BROWN	BLUE	YELLOW	RED

JACKPLUG CHART	J1P48	J1P48	J1P48	J1P48	J1P48	J1P48	J1P48	J1P48	J1P48	J1P48
JACKPLUG INDOOR BLOWER-POWER										
JACKPLUG INDOOR BLOWER-SPD TAP										
JACKPLUG-BURNER CONTROL										
JACKPLUG-COMB AIR INDOOR										
JACKPLUG INDOOR-TRIS/STAIR										
JACKPLUG-SENSATION										

- △ CUT W914 JUMPER FROM O TO R LABELED "HEAT PUMP" AT A92 CONTROL BOARD, WHEN USED FOR DUAL FUEL APPLICATIONS
- △ JUMPER W915 FROM Y1 TO Y2 IS FACTORY INSTALLED AT A92 CONTROL BOARD, LEAVE IN FOR ONE STAGE COOL, THERMOSTAT, CUT JUMPER Y1 TO Y2 FOR TWO STAGE COOL, THERMOSTAT.
- △ L13 USED ON 3/4 AND 1 HP ONLY
- △ THERMOSTAT HEAT ANTICIPATION SETTING  
43 AMP WHITE RODGERS VALVE
- △ TWO STAGE HEAT COOL  
HEAT COOL  
HEAT 2  
COOL 2  
HEAT 1  
COOL 1  
ON  
OFF  
FAN  
HEAT PUMP  
W915  
W914
- △ DFP SWITCH FACTORY DEFAULT IS FOR A TWO STAGE THERMOSTAT
- △ FIELD SUPPLIED ACC WIRE
- △ USE COPPER CONDUCTORS ONLY
- △ DH AND L TERMINALS NOT USED.
- △ DO NOT USE RED (LOW SPEED) FOR HIGH HEAT ON ALL MODELS.

NOTE: SEE INSTALLATION INSTRUCTIONS FOR PROCEDURE TO SET CORRECT BLOWER SPEED FOR SPECIFIC COOLING TONNAGE BEING APPLIED, AND HEATING TEMPERATURE RISE REQUIRED.

TYPICAL SYSTEM SHOWN FOR 2 HEAT/2 COOL WITH A CONVENTIONAL THERMOSTAT. SEE INSTALLATION INSTRUCTIONS FOR CONNECTIONS TO OTHER EQUIPMENT AND ACCESSORIES.



LENNOX HEATING UNITS-GAS

EL296DF04SXE388 EL296DF090XE48C  
EL296DF070XE488 EL296DF110XE60C

2 HEAT 2 COOL

1012

Supersedes 1012

Form No. 537577-01

© 2011 Lennox U.S.A.

WARNING-  
ELECTRIC SHOCK HAZARD CAN CAUSE INJURY OR DEATH. UNIT MUST BE GROUNDED IN ACCORDANCE WITH NATIONAL AND LOCAL CODES.

NOTE-  
IF ANY WIRE IN THIS APPL. IS REPLACED IT MUST BE REPLACED WITH WIRE OF LIKE SIZE, RATING, INSULATION THICKNESS, AND TERMINATION